

1
A-1 PERSPECTIVE VIEW
SCALE: NTS

TABLE OF CONTENTS

REPUBLIC OF THE PHILIPPINES
OFFICE OF THE CITY/MUNICIPAL
ENGINEER/BUILDING OFFICIAL

DISTRICT/CITY/MUNICIPALITY

ARCHITECTURAL

- A-1 PERSPECTIVE VIEW, TABLE OF CONTENTS
- A-2 FLOOR PLAN, ELEVATIONS, ROOF PLAN SECTIONS, REFLECTED CEILING PLAN
- A-3 SCHEDULE OF DOOR & WINDOWS, BAY SECTION, DETAIL SECTION, LOUVER BLOCK VENT., RAMP DETAIL

LAND USE & ZONING

LINE & GRADE

ARCHITECTURAL

STRUCTURAL

- S-1 FOUNDATION PLAN, ROOF FRAMING PLAN FOOTING DETAIL, COLUMN DETAIL, WF-1, RAMP DETAIL
- S-2 ELEVATIONS TYPICAL CONNECTION DETAIL

STRUCTURAL

SANITARY






ELECTRICAL

- E-1 ELECTRICAL LAYOUT PLAN, RISER DIAGRAM, LOAD SCHEDULE, GEN. NOTES

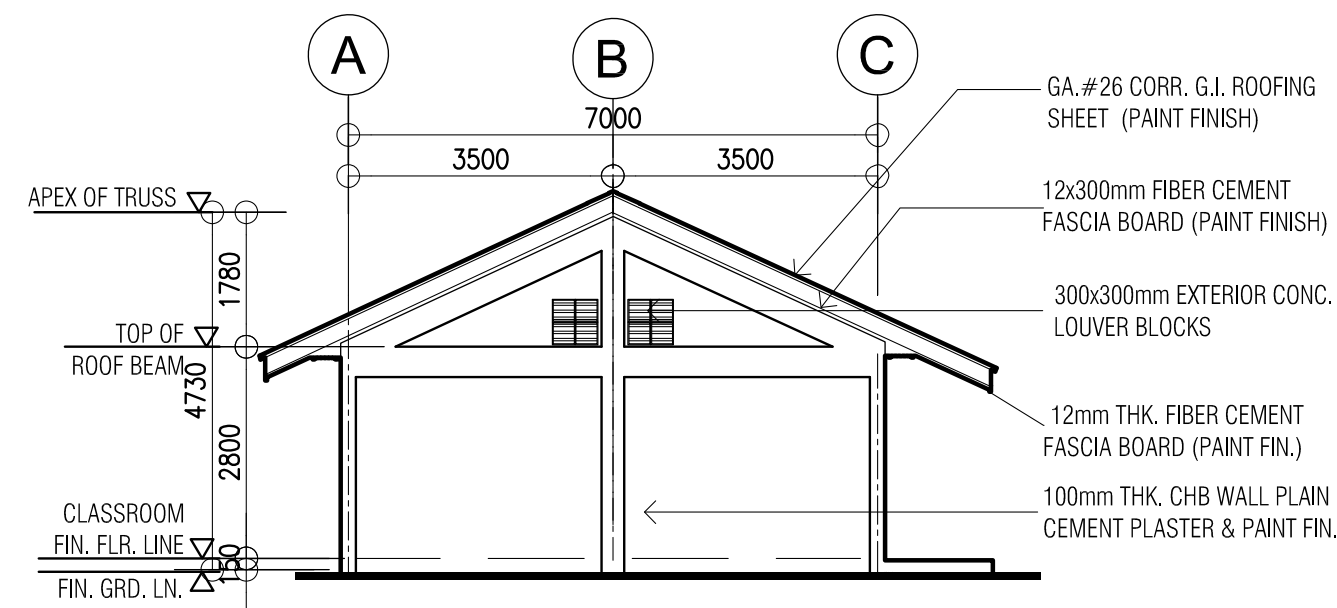
ELECTRICAL

SANITARY

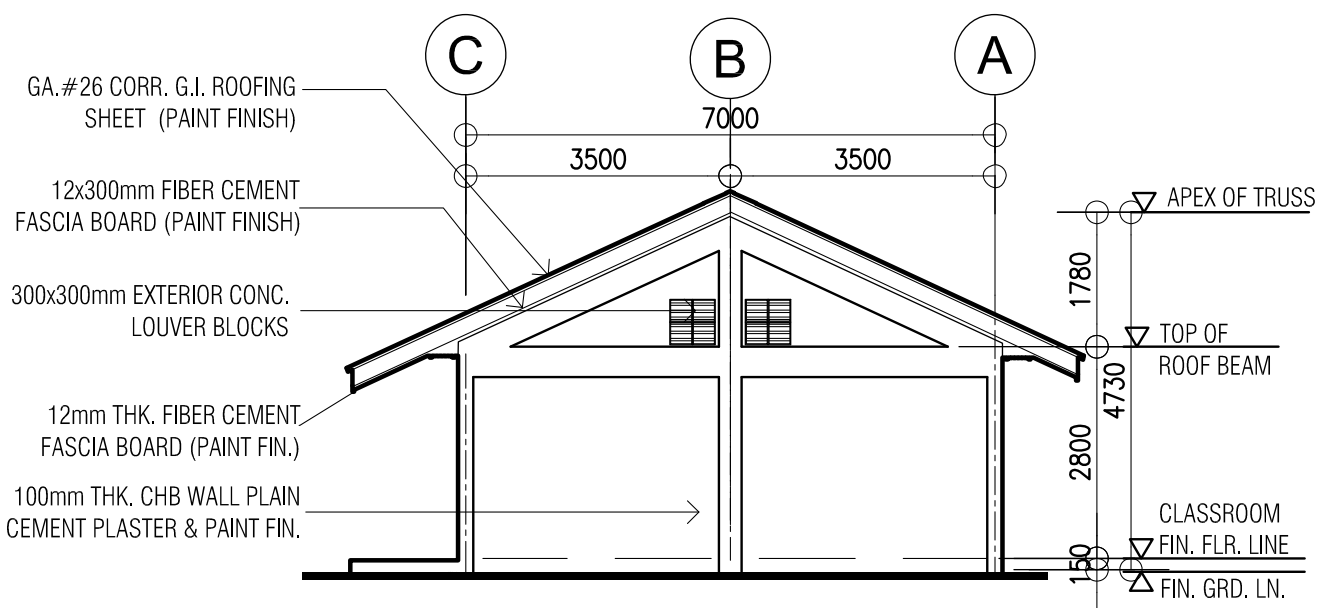
MECHANICAL

 <p>REPUBLIC OF THE PHILIPPINES DepED DEPARTMENT OF EDUCATION PHYSICAL FACILITIES AND SCHOOLS ENGINEERING DIVISION MERALCO AVENUE, PASIG CITY</p>	PREPARED BY :	CHECKED BY :	RECOMMENDING APPROVAL :	APPROVED BY :	PROJECT TITLE :	PROJECT NO: 0000009	OWNER :	SHEET NO:	
	 MAXIMINO M. CALBANG PDO - III PFSED-DepED	 NATHANIEL Q. MENDOZA ARCHITECT III PFSED-DepED	 LUIS G. PURISIMA JR. HEAD, PLANNING AND DESIGN UNIT PFSED-DepED	 OLIVER R. HERNANDEZ CHIEF, PFSED-OPS DepED	ONE STOREY ONE CLASSROOM (Modified 7x9m)	DESIGNED BY: NQM ENCODED BY: Max C. CHECKED BY: LGP DATE: 01 01 2006	DEPARTMENT OF EDUCATION DepED	SHEET CONTENTS : FLOOR, CEILING ROOF PLANS, ELEVATIONS, & SECTIONS	A-1 3

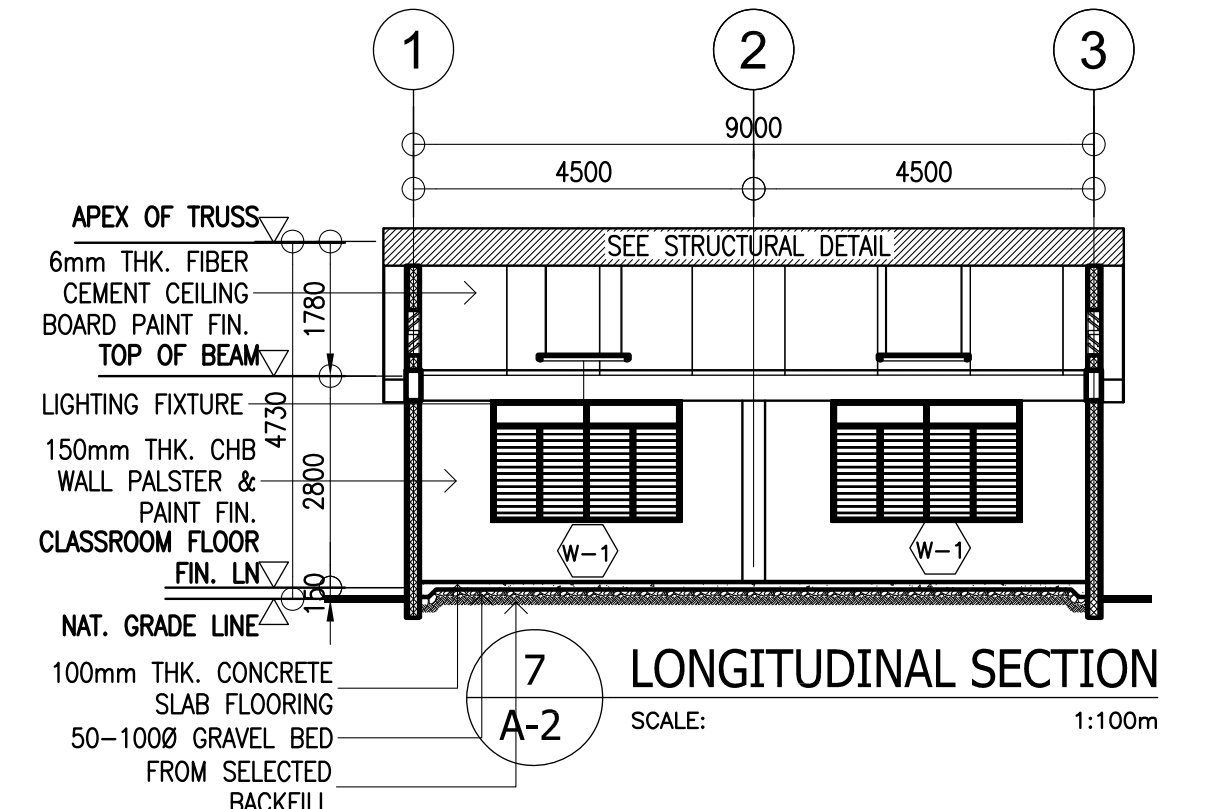
NOTE: THIS DRAWING, AS AN INSTRUMENT OF SERVICE IS THE PROPERTY OF PHYSICAL FACILITIES AND SCHOOLS ENGINEERING DIVISION AND AS SUCH MUST NOT BE REPRODUCED OR COPIED IN PART OR IN WHOLE WITHOUT THEIR PERMISSION. ALL DRAWINGS ARE TO BE RETURNED WHEN NO LONGER IN USE.



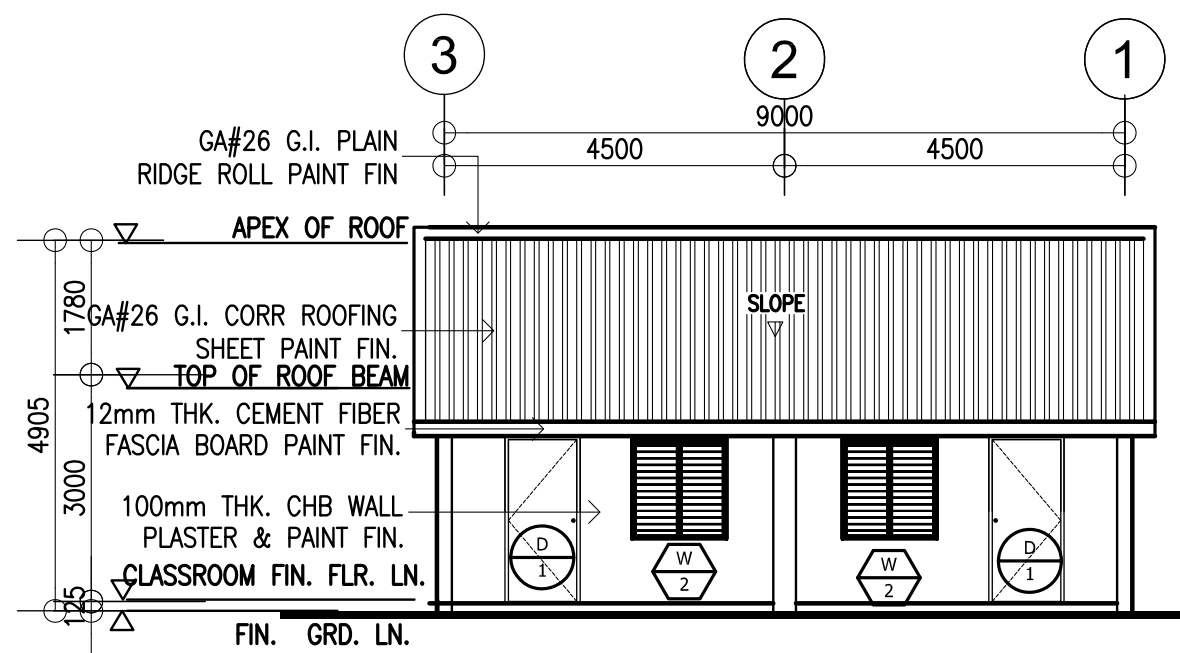
3 LEFT ELEVATION
A-2 SCALE: 1:100m



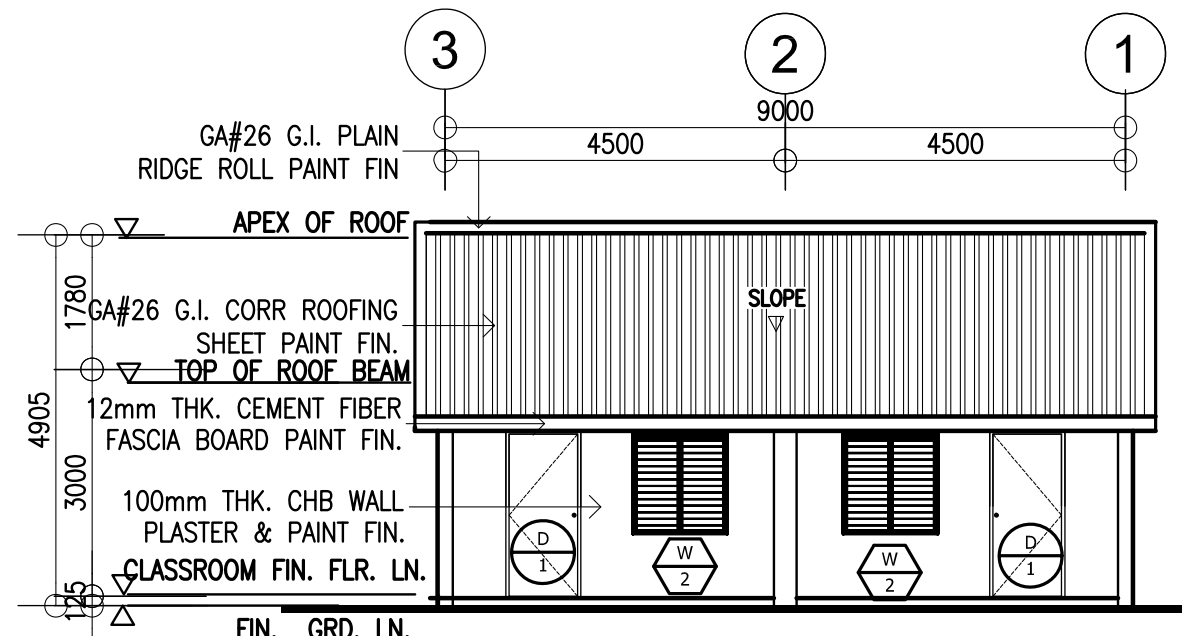
4 RIGHT ELEVATION
A-2 SCALE: 1:100m



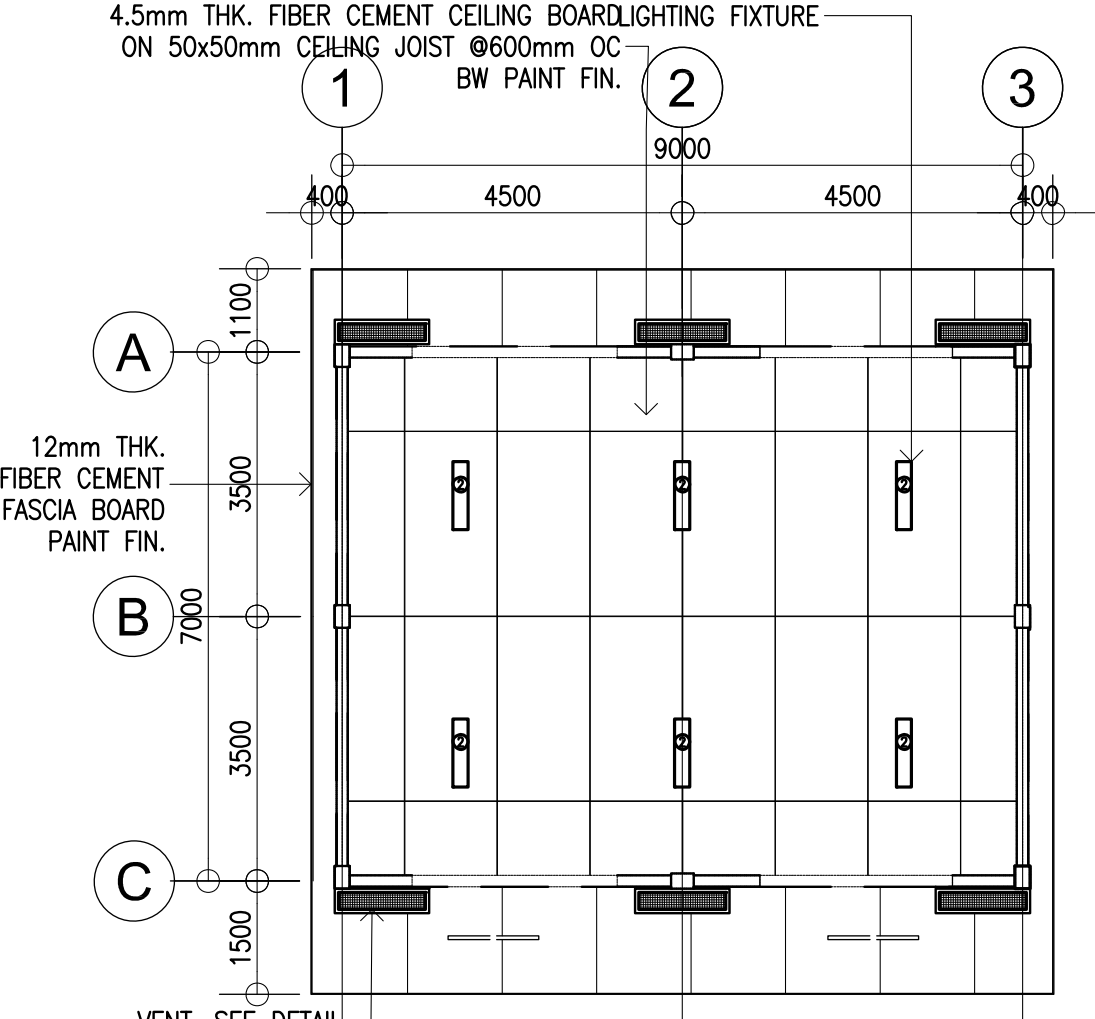
7 LONGITUDINAL SECTION
A-2 SCALE: 1:100m



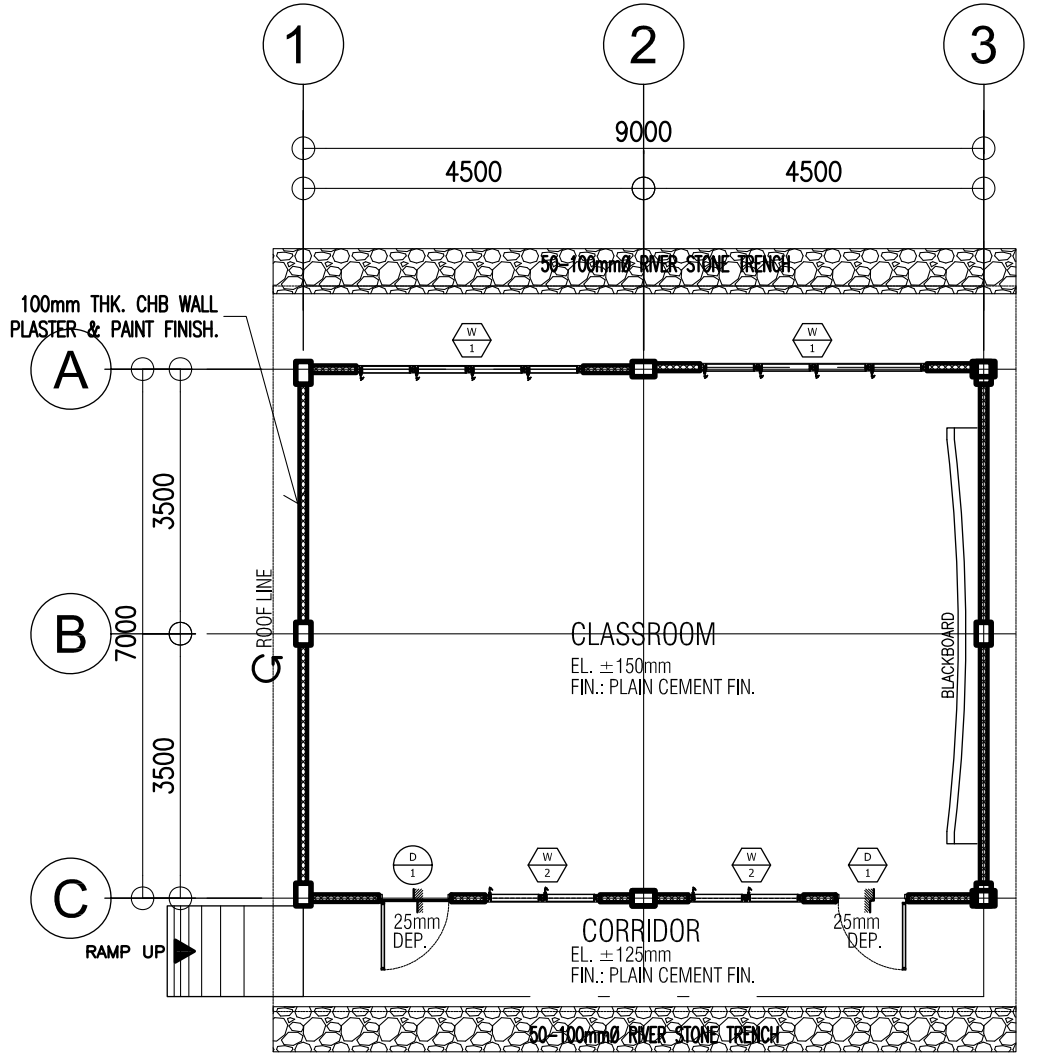
2 FRONT ELEVATION
A-2 SCALE: 1:100m



5 REAR ELEVATION
A-2 SCALE: 1:100m

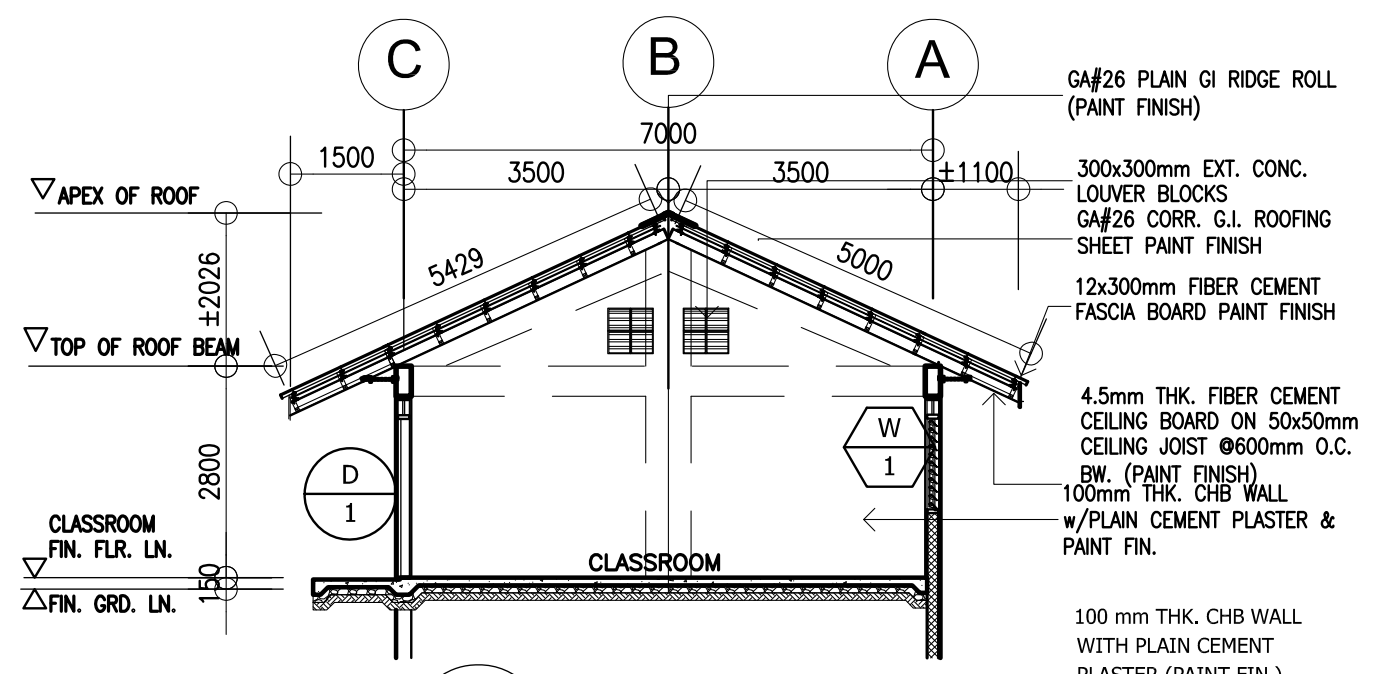


8 LONGITUDINAL SECTION
A-2 SCALE: 1:100m

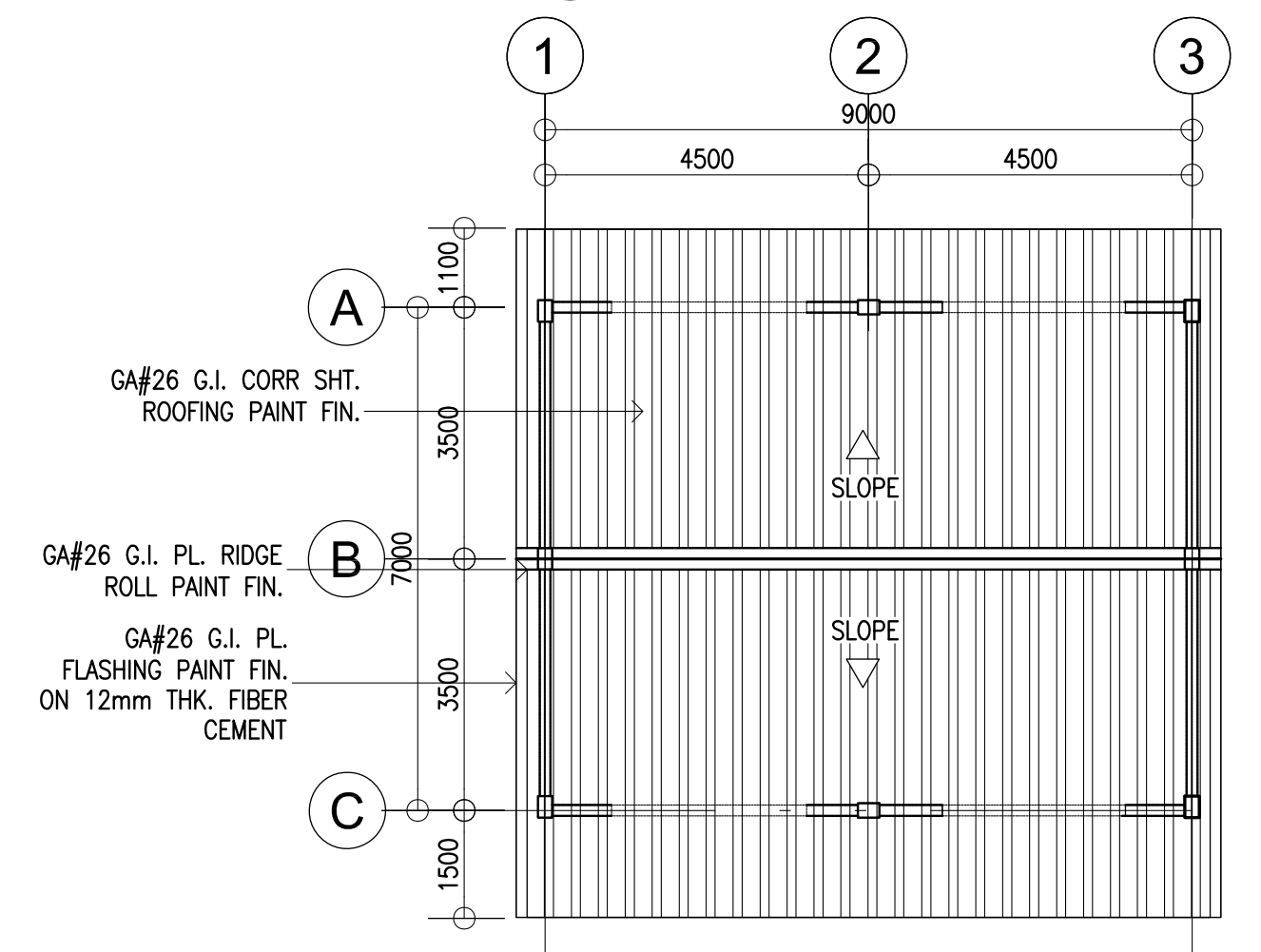


SCHEDULE OF FLOOR FIN.

FL-1	PLAIN GREEN CEMENT FIN.
FL-2	PLAIN CEMENT FLR. FIN. W/ GROOVE (ROUGH)

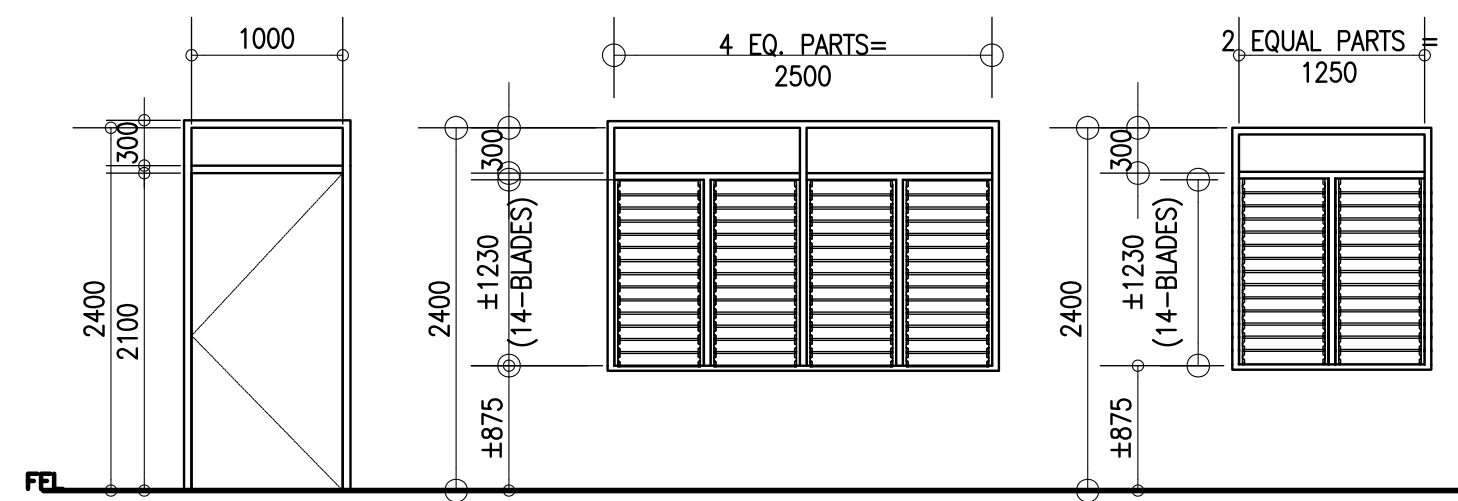


6 CROSS SECTION
A-2 SCALE: 1:100m



8 LONGITUDINAL SECTION
A-2 SCALE: 1:100m

<p>REPUBLIC OF THE PHILIPPINES DEPARTMENT OF EDUCATION PHYSICAL FACILITIES AND SCHOOLS ENGINEERING DIVISION MERALCO AVENUE, PASIG CITY</p>	PREPARED BY : MAXIMINO M. CALBANG PDO - III PFSED-DepED	CHECKED BY : NATHANIEL Q. MENDOZA ARCHITECT III PFSED-DepED	RECOMMENDING APPROVAL : LUIS G. PURISIMA JR. HEAD, PLANNING AND DESIGN UNIT PFSED-DepED	APPROVED BY : OLIVER R. HERNANDEZ CHIEF, PFSED-OPS DepED	PROJECT TITLE : ONE STOREY ONE CLASSROOM (Modifed 7x9m)	PROJECT NO: 000009 DESIGNED BY: NQM ENCODED BY: Max C. CHECKED BY: LGP DATE: 01 01 2006	OWNER : DEPARTMENT OF EDUCATION DepED	SHEET NO: A-2 3
	SHEET CONTENTS : FLOOR, CEILING ROOF PLANS, ELEVATIONS, & SECTIONS		NOTE: THIS DRAWING, AS AN INSTRUMENT OF SERVICE IS THE PROPERTY OF PHYSICAL FACILITIES AND SCHOOLS ENGINEERING DIVISION AND AS SUCH MUST NOT BE REPRODUCED OR COPIED IN PART OR IN WHOLE WITHOUT THEIR PERMISSION. ALL DRAWINGS ARE TO BE RETURNED WHEN NO LONGER IN USE.		LOCATION :		REP. ACT 545	

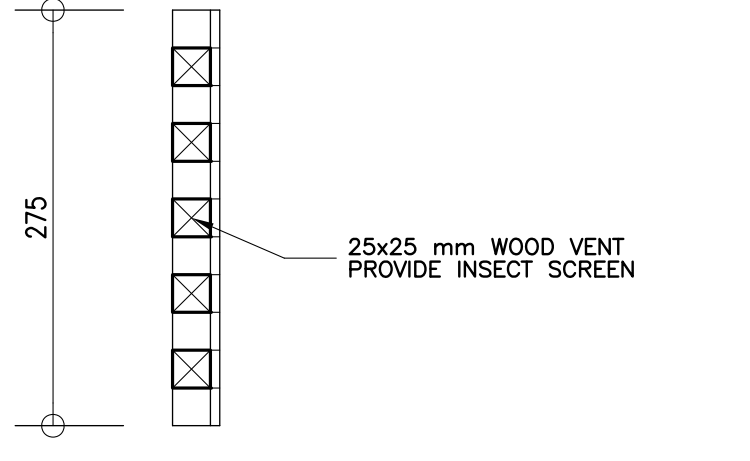


D-1 HOLLOW CORE FLUSH TYPE HINGED DOOR ON 50x100mm WOOD JAMBS/FRAMES

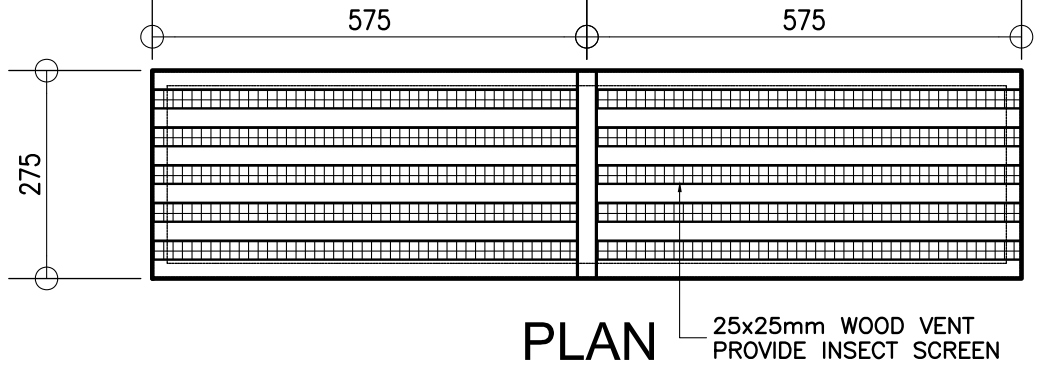
W-1 JALOUSIE WINDOW W/ CLEAR GLASS BLADES ON STD. ALUM. HOUSING & FIXED CLEAR GLASS TRANSOMS ON 50x100mm W.D. JAMBS/FRAMES

W-2 SAME AS W-1

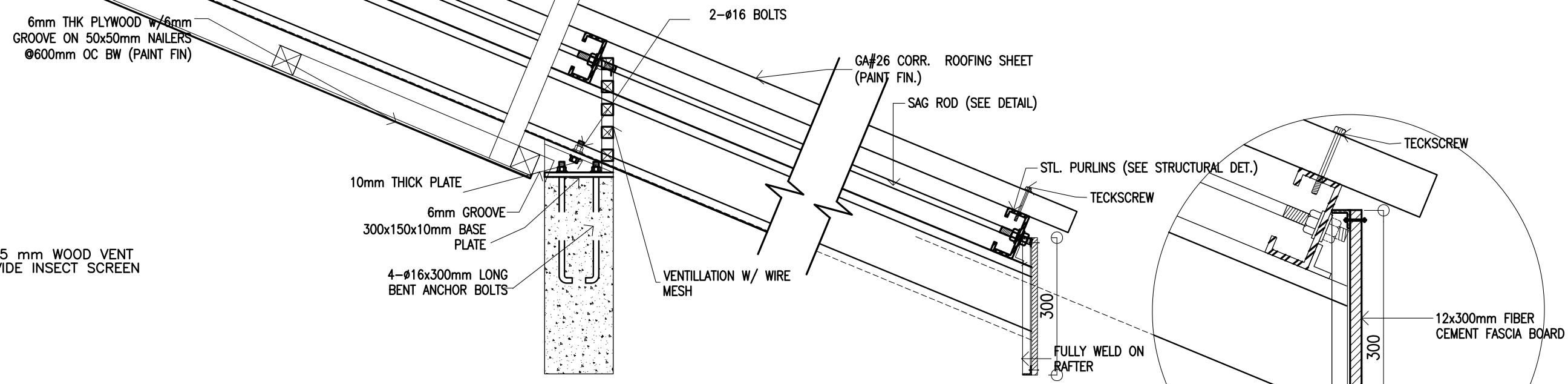
1 DOOR & WINDOW SCHEDULE
SCALE: 1:50m



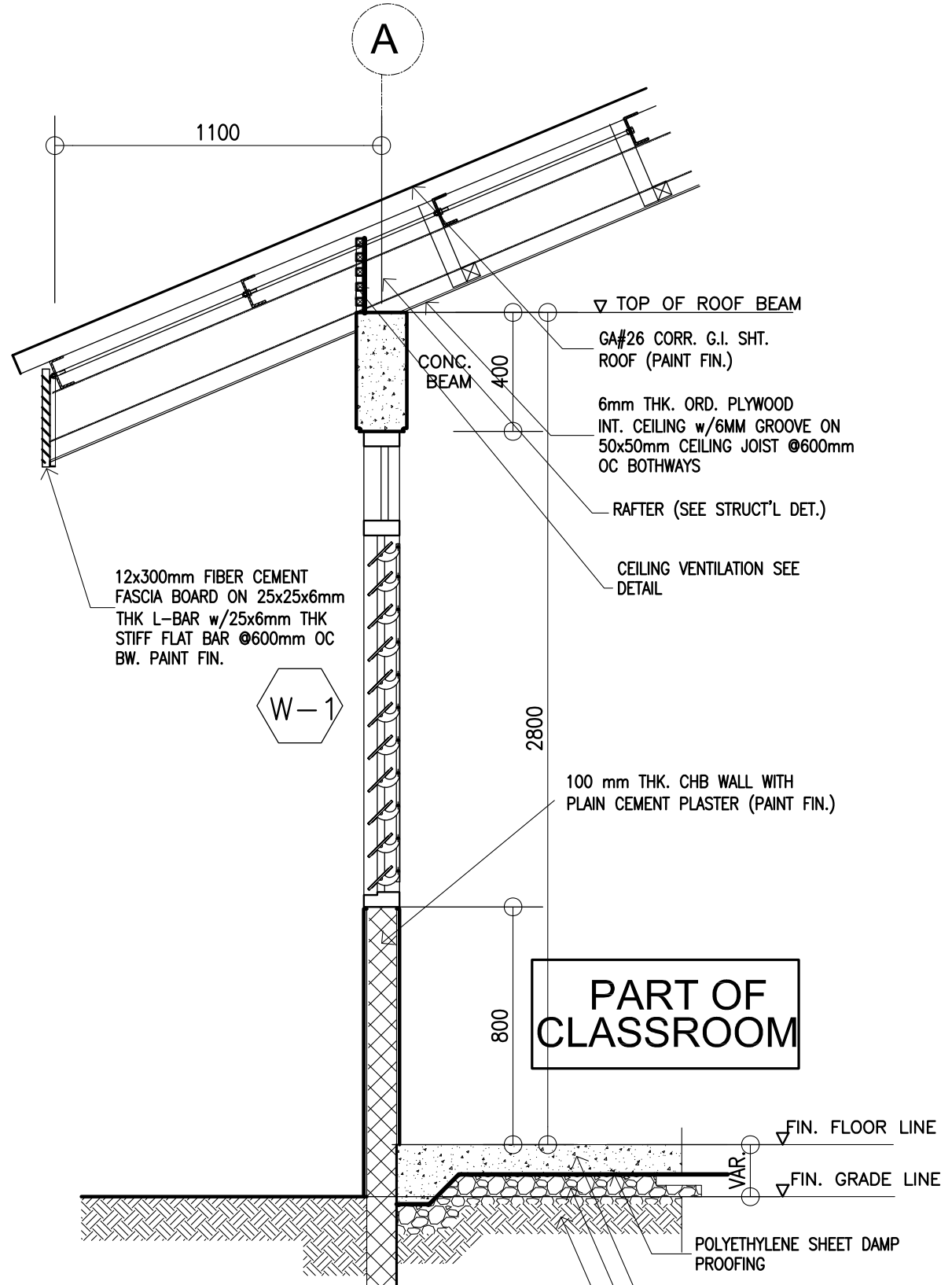
4 TYP. CLG. VENT. DETAILS
SCALE: 1:10 mts.



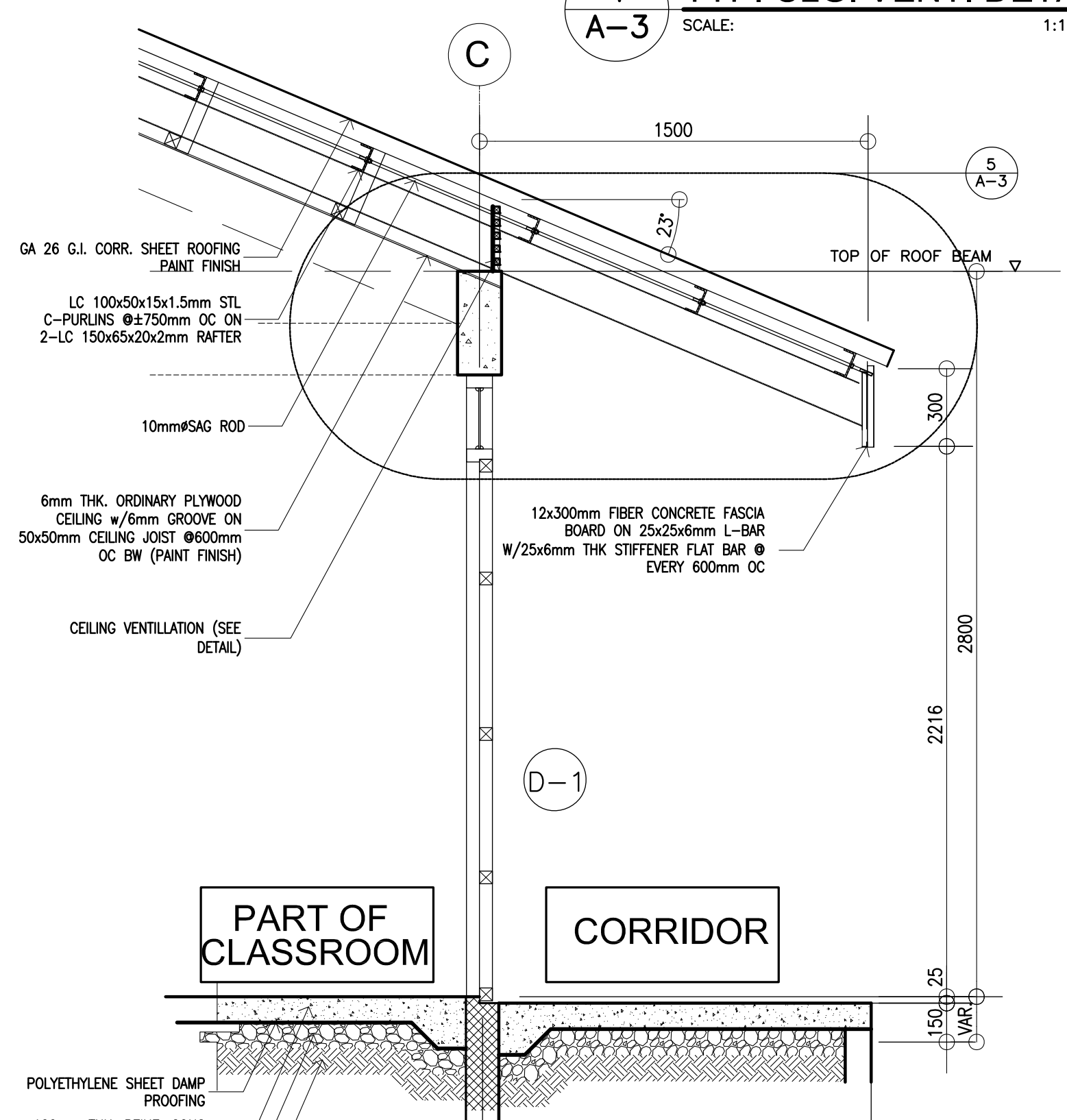
PLAN
25x25mm WOOD VENT PROVIDE INSECT SCREEN



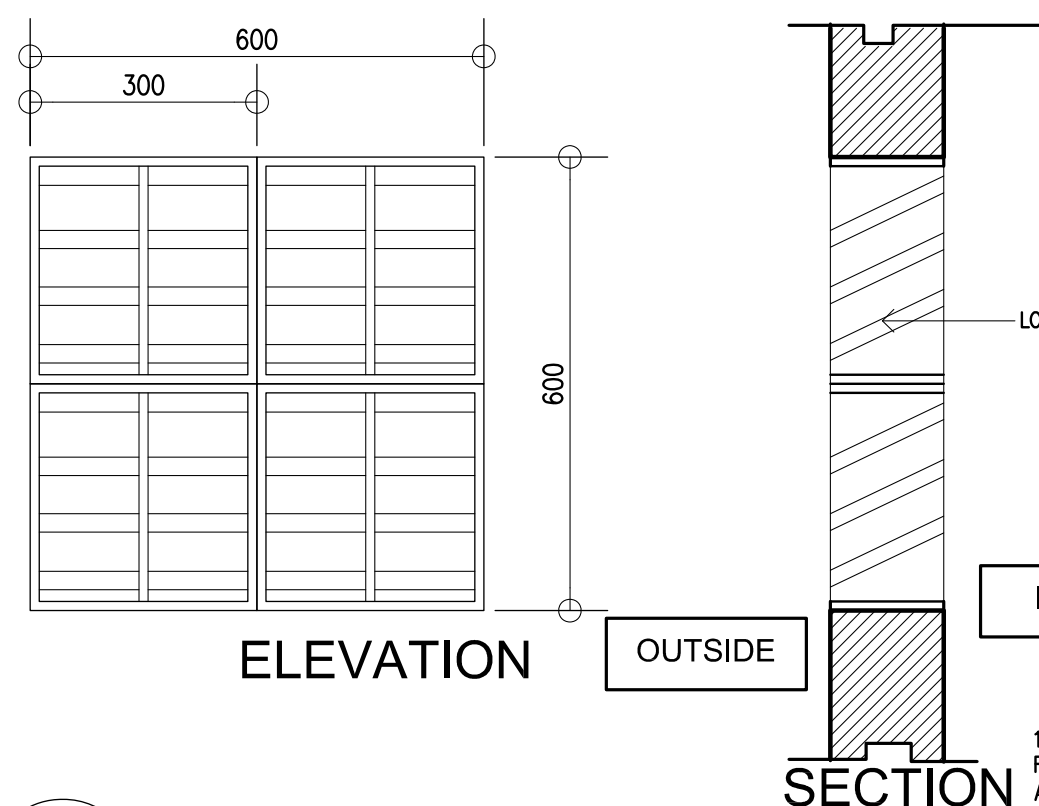
5 EAVES DETAIL
SCALE: 1:20mts



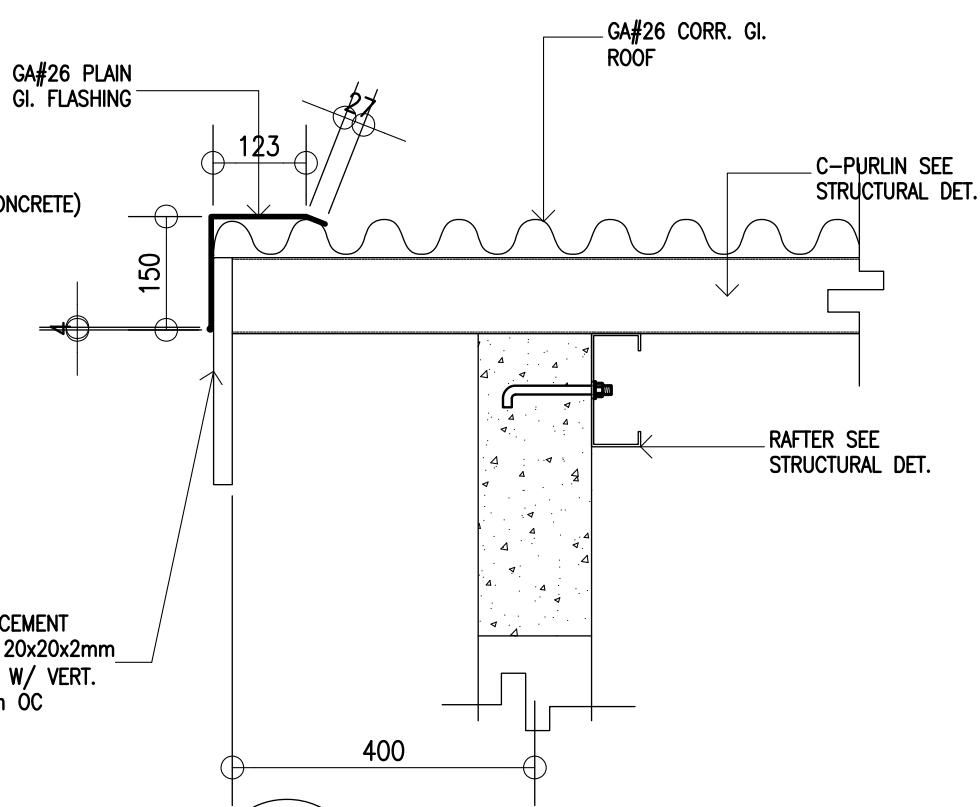
1 PLAN
SCALE: 1:100m



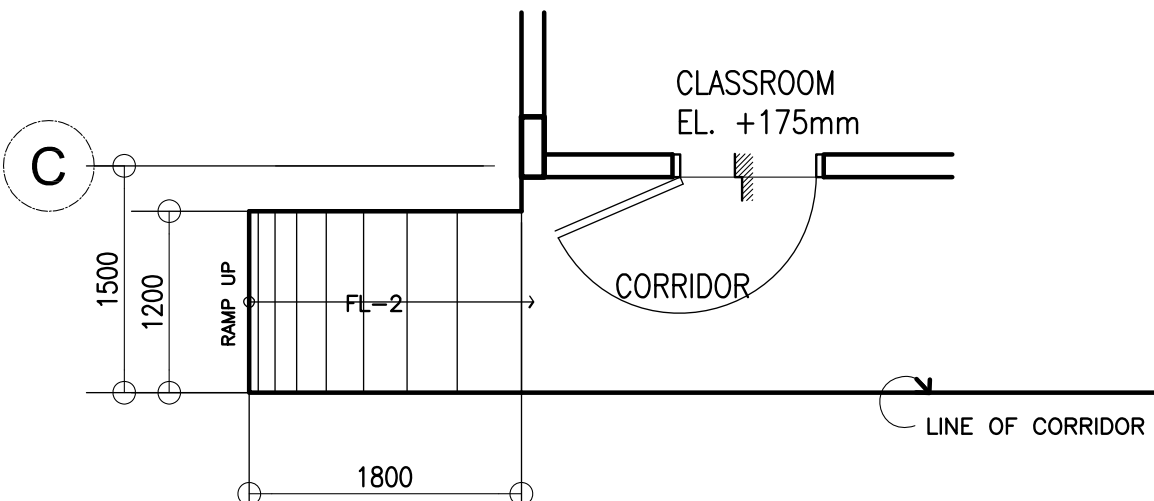
2 PLAN
SCALE: 1:100m



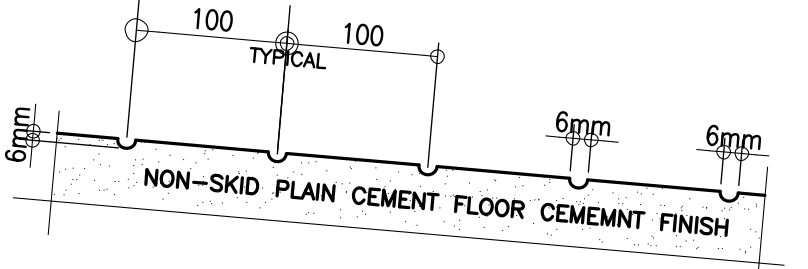
6 LOUVER BLOCK DETAIL
SCALE: 1:10 mts.



7 EAVES DETAIL
SCALE: 1:20M



8 RAMP DETAILS
SCALE: 1:50 M

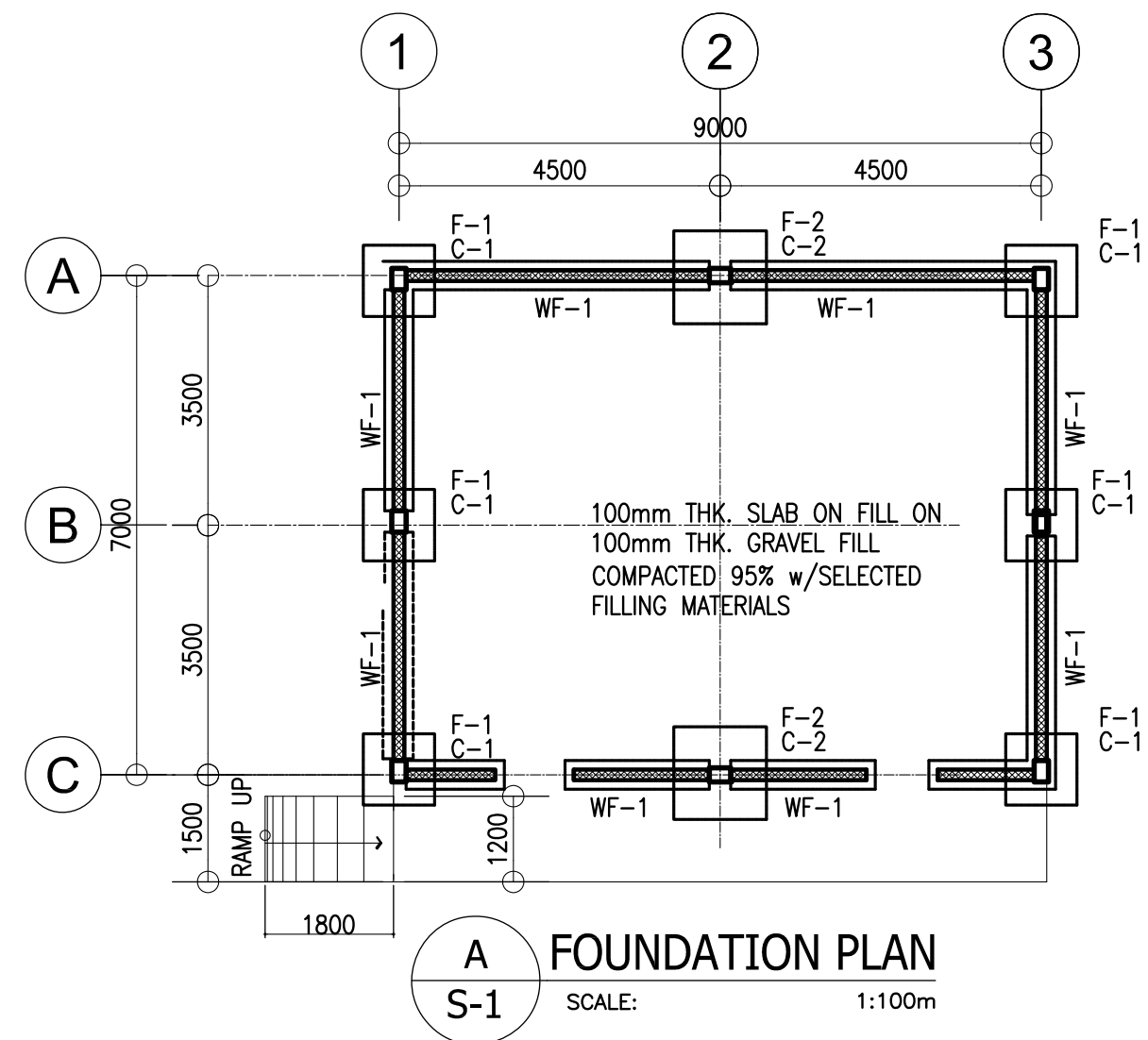


DETAIL SECTION
SCALE: 1:5 M

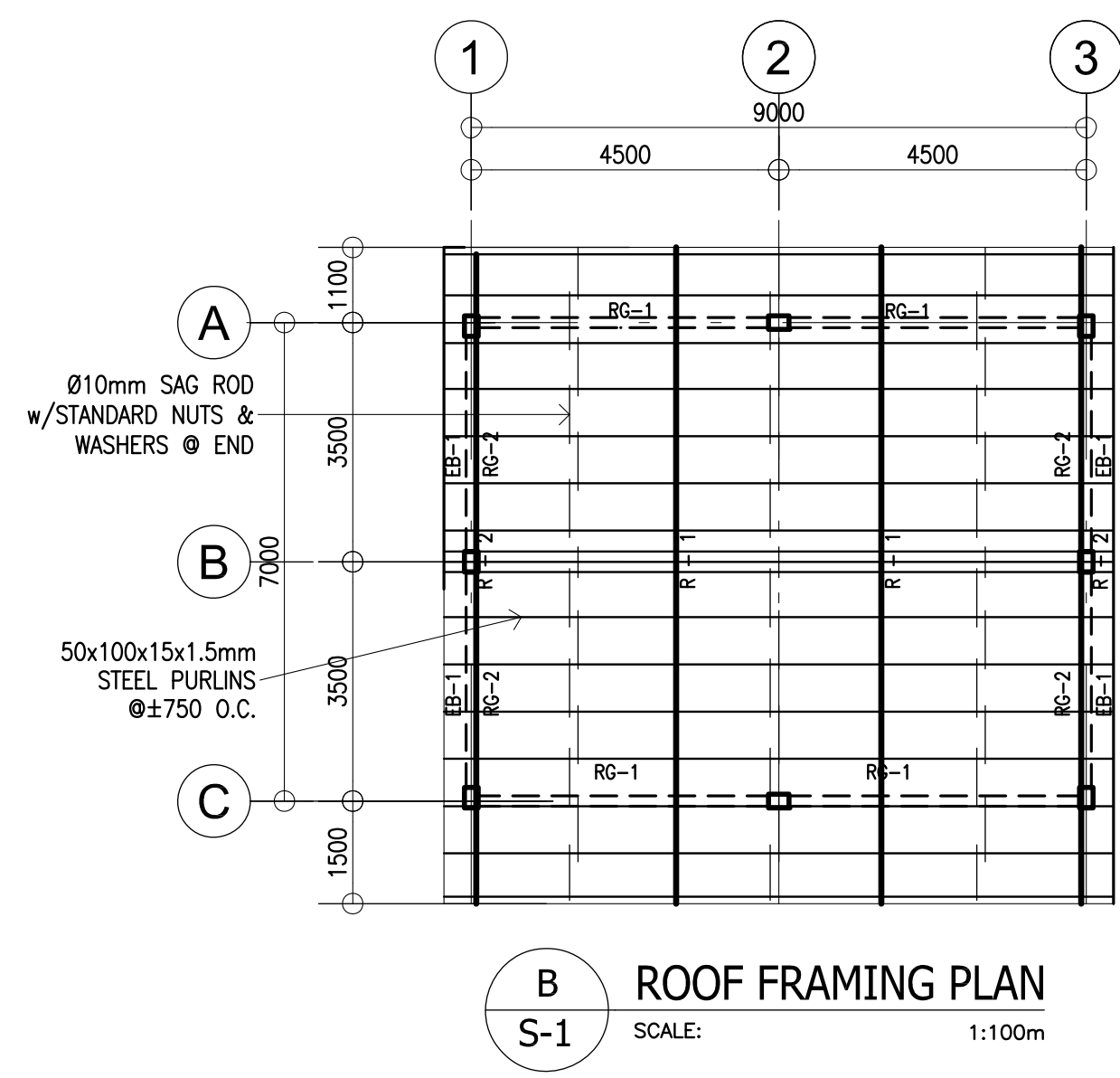


REPUBLIC OF THE PHILIPPINES	PREPARED BY : <i>Maximo M. Calbang</i> MAXIMO M. CALBANG PDO - III PFSED-DepED	CHECKED BY : <i>Nathaniel Q. Mendoza</i> NATHANIEL Q. MENDOZA ARCHITECT III PFSED-DepED	RECOMMENDING APPROVAL : <i>Luis G. Purisima Jr.</i> LUIS G. PURISIMA JR. HEAD, PLANNING AND DESIGN UNIT PFSED-DepED	APPROVED BY : <i>Oliver R. Hernandez</i> OLIVER R. HERNANDEZ CHIEF, PFSED-OPS DepED	PROJECT TITLE : ONE STOREY ONE CLASSROOM (Modified 7X9m)	PROJECT NO: 000012	OWNER : DEPARTMENT OF EDUCATION DepED	SHEET NO: A-3 3
					DESIGNED BY: NQM	ENCODED BY: Max C.	CHECKED BY: LGP	DATE: 01 01 2006
					LOCATION :		SHEET CONTENTS : SCH. OF DOORS & WINDOWS BAY & DETAIL SECTION, EAVES, LOUVER BLK, VENT, RAMP DET.	

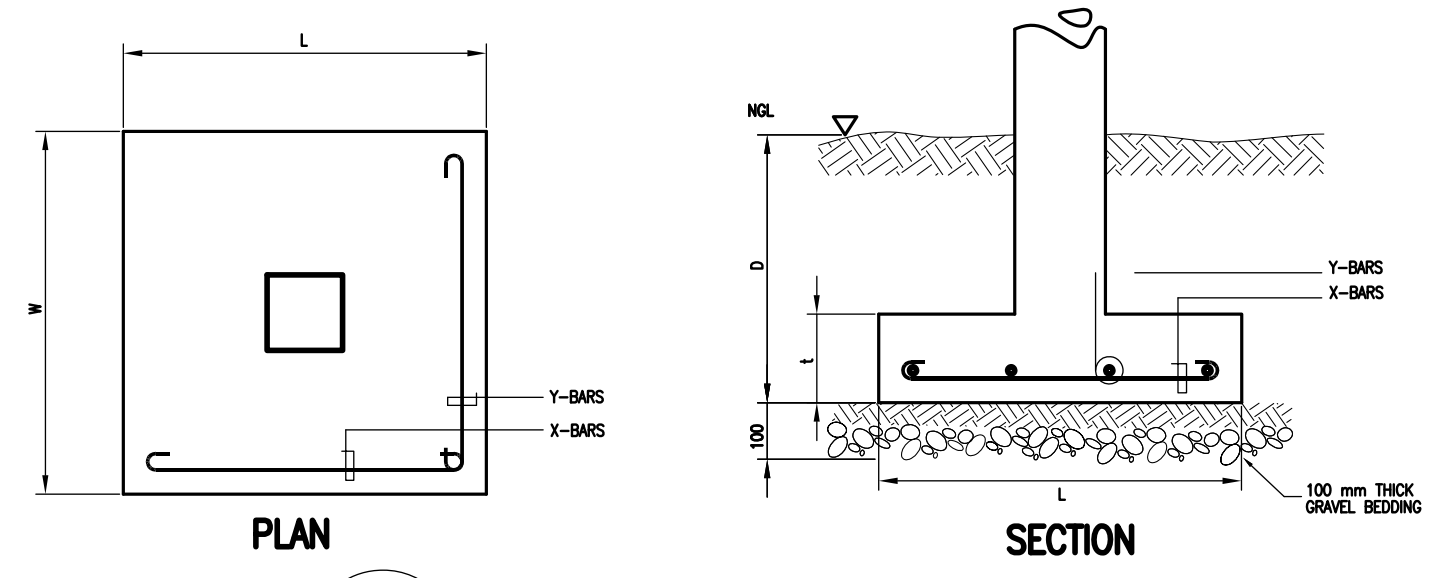
NOTE: THIS DRAWING, AS AN INSTRUMENT OF SERVICE IS THE PROPERTY OF PHYSICAL FACILITIES AND SCHOOLS ENGINEERING DIVISION AND AS SUCH MUST NOT BE REPRODUCED OR COPIED IN PART OR IN WHOLE WITHOUT THEIR PERMISSION. ALL DRAWINGS ARE TO BE RETURNED WHEN NO LONGER IN USE.



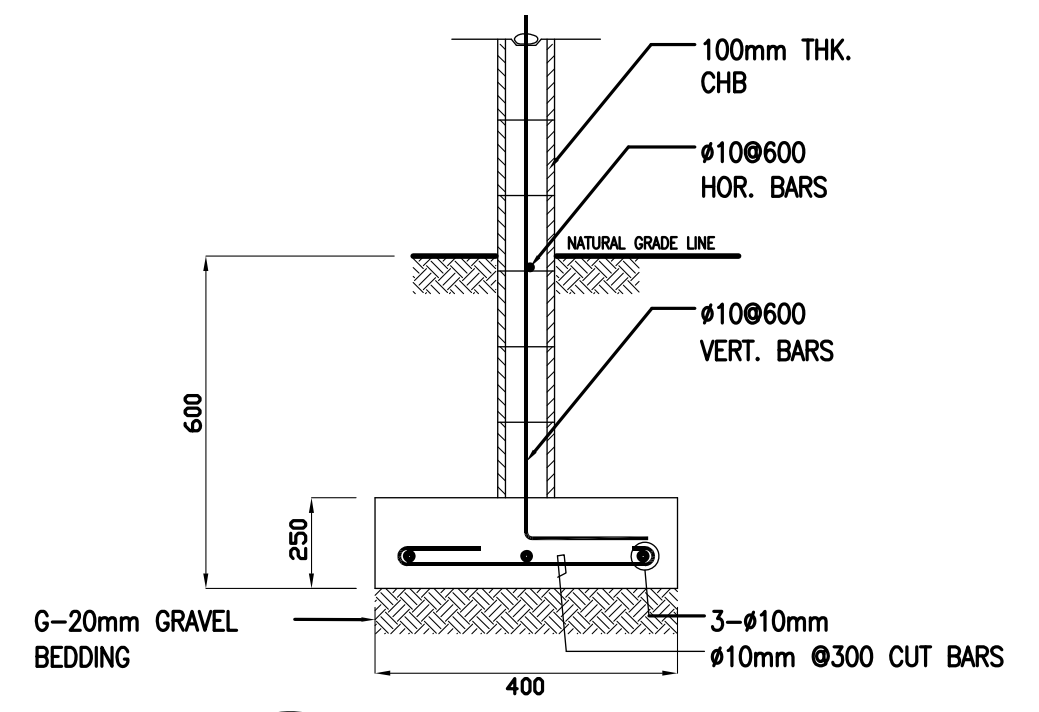
A FOUNDATION PLAN
S-1 SCALE: 1:100m



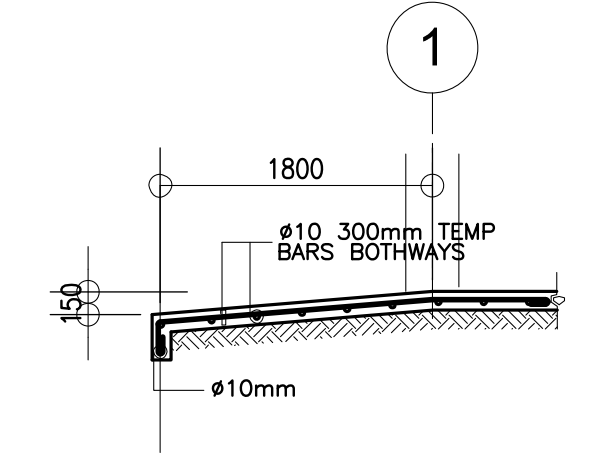
B ROOF FRAMING PLAN
S-1 SCALE: 1:100m



C TYP. FOOTING DETAIL
S-1 SCALE: NTS



D DETAIL OF WF-1
S-1 SCALE: NTS.



E DETAIL OF RAMP
S-1 SCALE: 1:50M

COLUMN SCHEDULE		
LEVEL	C-1	C-2
FOUNDATION LEVEL TO ROOF LEVEL	<p>MAIN BAR: 4-Ø16mm</p> <p>TIES : Ø10 mm 1@50, 8@75, REST @ 150mm TO CENTER</p>	<p>MAIN BAR: 6-Ø16mm</p> <p>TIES : Ø10 mm 1@50, 8@75, REST @ 150mm TO CENTER</p>

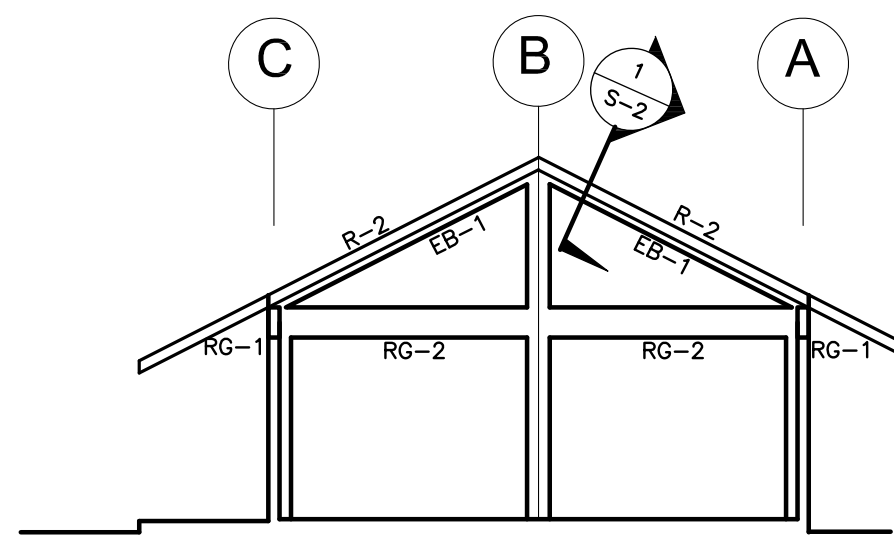
SCHEDULE OF FOOTINGS							
FOOTING MARK	FOOTING DIMENSIONS (mm)				REINFORCEMENT		REMARKS
	LENGTH (L)	WIDTH (W)	DEPTH (D)	THICKNESS (t)	BAR X	BAR Y	
F-1	800	800	1200	250	4 - 16mmØ	4 - 16mmØ	SQUARE FOOTING
F-2	1000	1000	1200	250	4 - 16mmØ	4 - 16mmØ	SQUARE FOOTING

DESIGN CRITERIA :

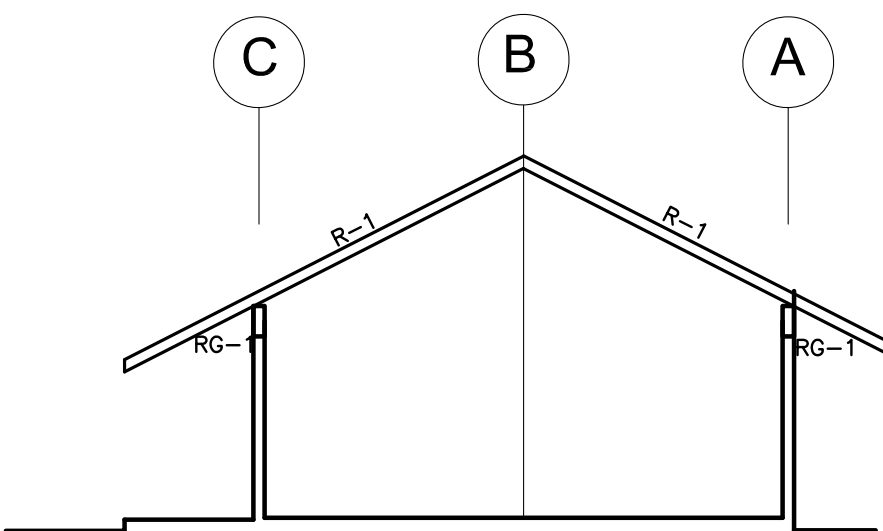
- A. CONCRETE**
 $f_c' = 20.685 \text{ Mpa (3,000 Psi)}$, minimum compressive strength of concrete a 28 days unless otherwise specified.
- B. REBAR**
 $f_y = 275.8 \text{ Mpa (40,000 Psi)}$, minimum yield strength of reinforcing bars unless otherwise specified.
- C. STRUCTURAL STEEL**
 $f_y = 248 \text{ Mpa (36 Kai)}$, specified minimum yield strength unless otherwise specified.
- D. FOUNDATION**
 $SBP = 95.706 \text{ Kpa (2,000 Psf)}$, was used in the design for all footings. No footing shall rest on fill.

<p>REPUBLIC OF THE PHILIPPINES DepED DEPARTMENT OF EDUCATION PHYSICAL FACILITIES AND SCHOOLS ENGINEERING DIVISION MERALCO AVENUE, PASIG CITY</p>	PREPARED BY : MAXIMINO M. CALBANG PDO - III PFSED-DepED	CHECKED BY : ANTONIA M. ALHAMBRA CIVIL ENGINEER/MASTER PLUMBER PFSED-DepED	RECOMMENDING APPROVAL : LUIS G. PURISIMA JR. HEAD, PLANNING AND DESIGN UNIT PFSED-DepED	APPROVED BY : OLIVER R. HERNANDEZ CHIEF, PFSED-OPS DepED	PROJECT TITLE : ONE STOREY ONE CLASSROOM (Modified 7X9m)	PROJECT NO: 000009 DESIGNED BY: AMA ENCODED BY: Max C. CHECKED BY: LGP DATE: 01 01 2006	OWNER : DEPARTMENT OF EDUCATION DepED	SHEET NO: S-1 SHEET CONTENTS : FOUNDATION PLAN, ROOF FRAMING PLAN FOOTING DETAIL, COLUMN DETAIL, WF-1, RAMP DET.	
						LOCATION :			

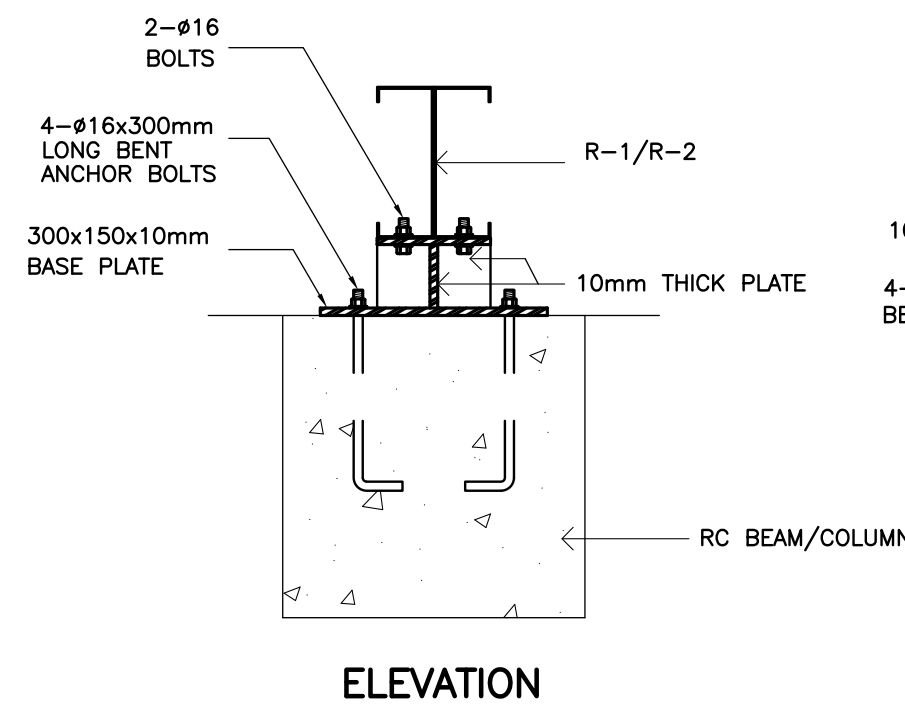
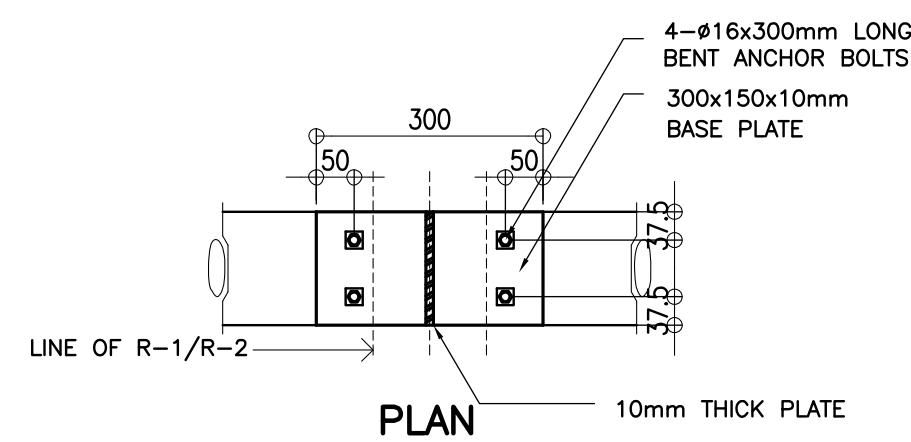
NOTE: THIS DRAWING, AS AN INSTRUMENT OF SERVICE IS THE PROPERTY OF PHYSICAL FACILITIES AND SCHOOLS ENGINEERING DIVISION AND AS SUCH MUST NOT BE REPRODUCED OR COPIED IN PART OR IN WHOLE WITHOUT THEIR PERMISSION. ALL DRAWINGS ARE TO BE RETURNED WHEN NO LONGER IN USE.



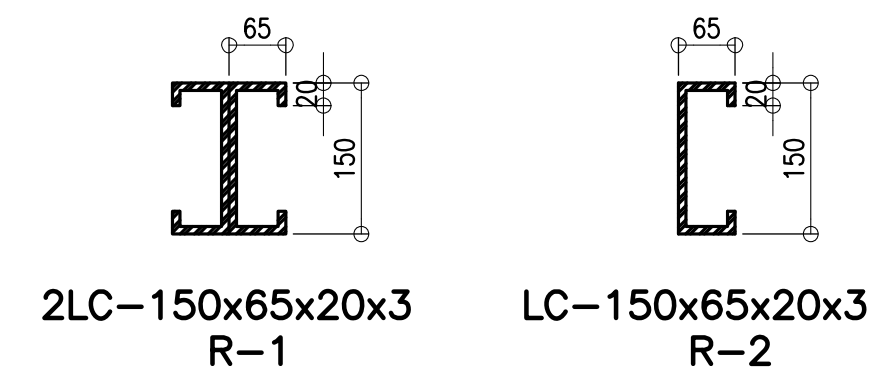
A ELEV @ GRID 1 & 3
S-2 SCALE: 1:100 M



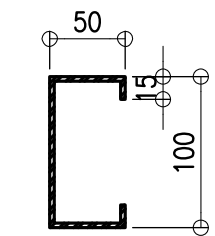
B ELEV BETWEEN GRIDLINES
S-2 SCALE: 1:100 M



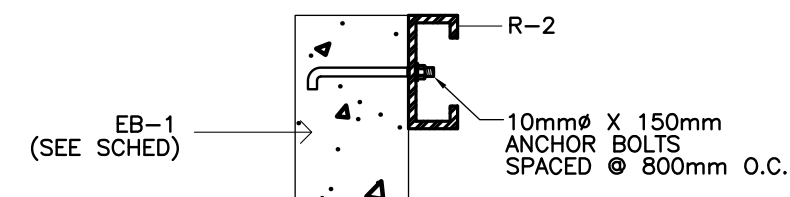
D TYPICAL RAFTER ANCHORAGE DETAIL
S-2 SCALE 1:20 M



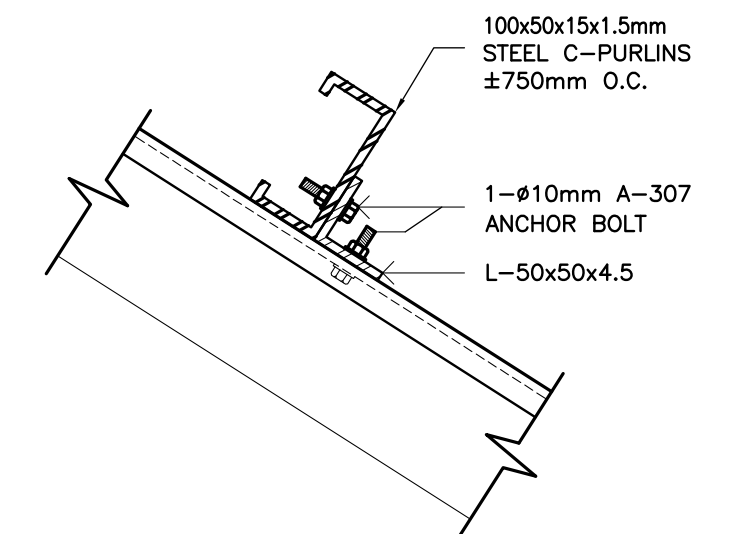
E DETAIL OF RAFTER
S-2 SCALE NTS



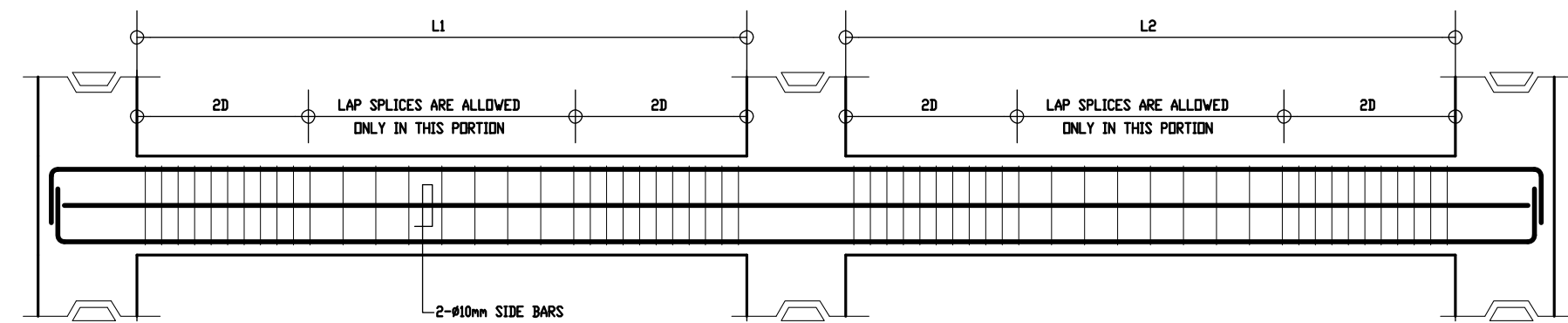
F DETAIL OF PURLINS
S-2 SCALE NTS



1 SECTION DETAIL
S-2 SCALE NTS

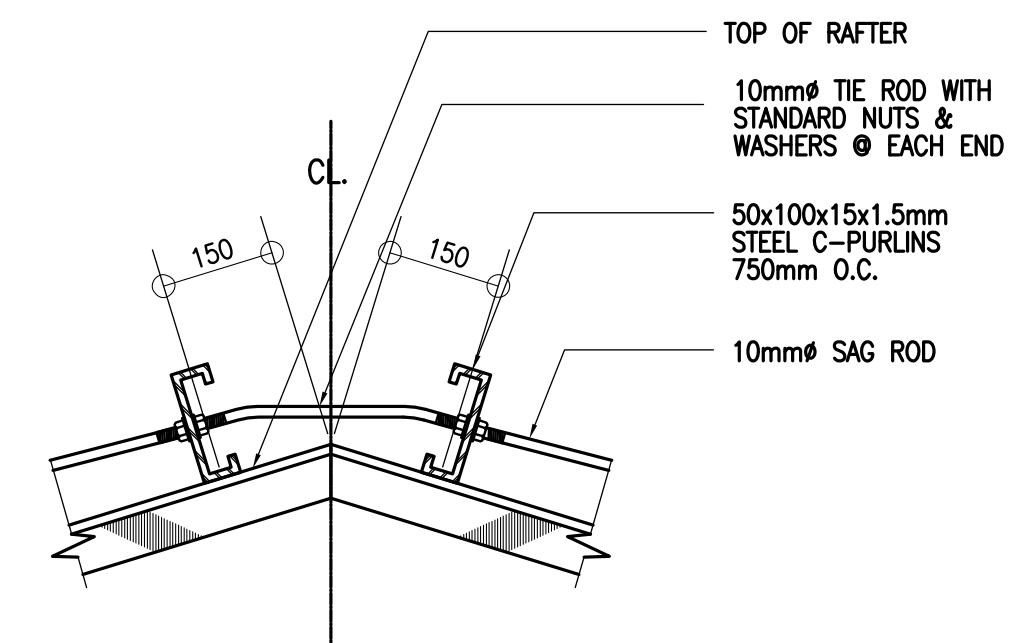


G PURLIN CONNECTION DET
S-2 SCALE 1:5 M

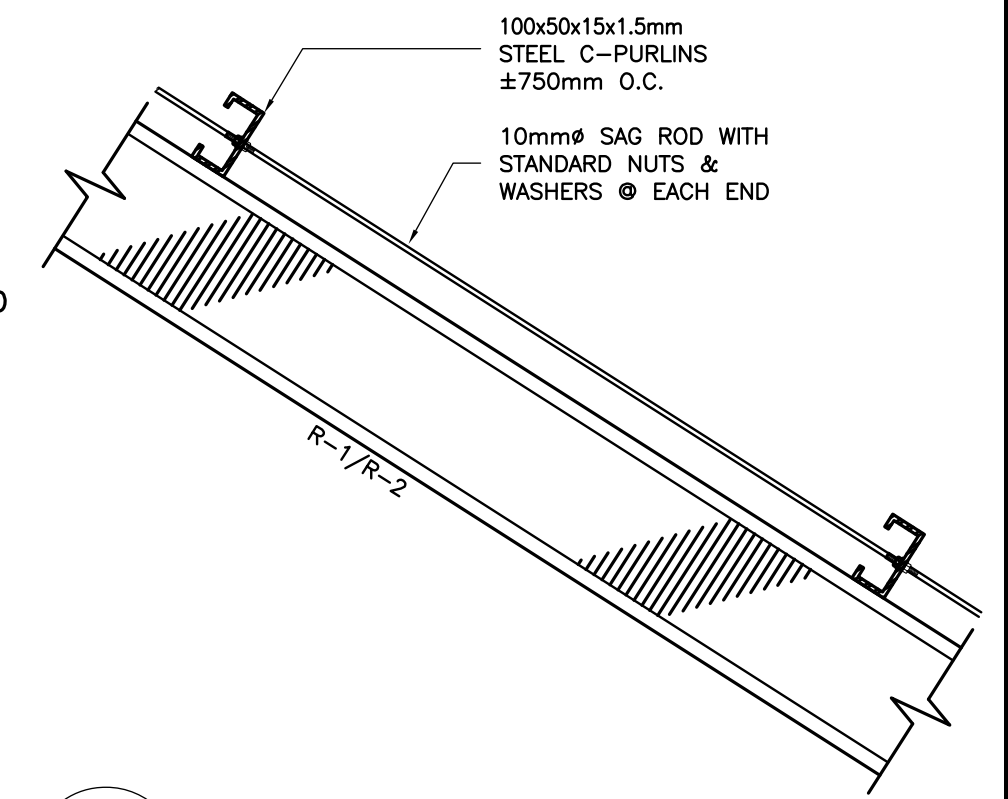


C TYPICAL BEAM ELEVATION
S-2

BEAM SCHEDULE											
FLOOR LEVEL	BEAM MARK	BEAM DIMENSIONS (in / mm)		STEEL REINFORCEMENTS						STIRRUPS #10mm (UNLESS NOTED OTHERWISE)	
		b	h	REBAR (mm Ø)	LEFT		MID SPAN		RIGHT		
					TOP	BOTTOM	TOP	BOTTOM	TOP	BOTTOM	
ROOF LEVEL	RG-1	150	400	Ø12mm	2	2	2	2	2	2	1Ø50, 8Ø100, REST@200
	RG-2	150	400	Ø12mm	2	2	2	2	2	2	1Ø50, 6Ø100, REST@200
	EB-1	150	250	Ø10mm	2	2	2	2	2	2	1Ø50, REST@200



H TIE ROD CONNECTION DET.
S-2 SCALE 1:10 M



I SAG ROD CONNECTION DET.
S-2 SCALE 1:10 M

<p>REPUBLIC OF THE PHILIPPINES DEPARTMENT OF EDUCATION PHYSICAL FACILITIES AND SCHOOLS ENGINEERING DIVISION MERALCO AVENUE, PASIG CITY</p>	PREPARED BY: MAXIMINO M. CALBANG PDO - III PFSED-DepED	CHECKED BY: ANTONIA M. ALHAMBRA CIVIL ENGINEER/MASTER PLUMBER PFSED-DepED	RECOMMENDING APPROVAL: LUIS C. PURISIMA JR. HEAD, PLANNING AND DESIGN UNIT PFSED-DepED	APPROVED BY: OLIVER R. HERNANDEZ CHIEF, PFSED-OPS DepED	PROJECT TITLE: ONE STOREY ONE CLASSROOM (Modified 7x9m)	PROJECT NO: 000009 DESIGNED BY: AMA ENCODED BY: Max C. CHECKED BY: LGP DATE: 01 01 2006	OWNER: DEPARTMENT OF EDUCATION DepED	SHEET NO: S-2 SHEET CONTENTS: ELEVATIONS, BEAM DETAIL & SCHED. TYPICAL CONNECTION DETAIL
	LOCATION:							
	NOTE: THIS DRAWING, AS AN INSTRUMENT OF SERVICE IS THE PROPERTY OF PHYSICAL FACILITIES AND SCHOOLS ENGINEERING DIVISION AND AS SUCH MUST NOT BE REPRODUCED OR COPIED IN PART OR IN WHOLE WITHOUT THEIR PERMISSION. ALL DRAWINGS ARE TO BE RETURNED WHEN NO LONGER IN USE.							
	REP. ACT 545							

GENERAL NOTES

- ALL ELECTRICAL WORKS SHALL COMPLY IN ACCORDANCE WITH THIS PLAN AND SPECIFICATIONS. THE APPLICABLE PROVISIONS OF THE LATEST EDITION OF THE PHILIPPINE ELECTRICAL CODE (PEC). THE RULES AND REGULATION OF THE LOCAL ENFORCING AUTHORITY AND THE REQUIREMENTS OF THE LOCAL POWER COMPANY. ALL ELECTRICAL WORKS SHALL BE UNDER THE IMMEDIATE SUPERVISION OF A DULY REGISTERED ELECTRICAL ENGINEER.
- THE ELECTRICAL SERVICE POWER IS 1-PHASE, 2-WIRE, 230 V AC, 60 Hz.
- WIRING METHOD SHALL BE AS FOLLOWS :
 - FEEDERS AND RISERS - RIGID METALLIC CONDUIT
 - LIGHTING, POWER RECEPTACLE - POLYVINYL CHLORIDE CONDUIT BRANCH CKT., & AUXILIARY SCH. 40
- ALL WIRES SHALL BE COPPER AND THERMOPLASTIC INSULATED TYPE "THW" UNLESS OTHERWISE INDICATED IN THE PLAN. THE MINIMUM SIZE OF WIRE FOR POWER AND LIGHTING CIRCUIT HOMERUN SHALL BE 3.5mm² AND INSULATED FOR 600 VOLTS. SMALLEST RACEWAY SHALL BE 15mmØ TRADE/NOMINAL SIZE.
- ALL OUTLET BOXES SHALL BE GALVANIZED GAUGE NO. 16 DEEP TYPE WITH FACTORY KNOCKOUTS.
- ALL MATERIALS TO BE USED SHALL BE BRAND NEW AND APPROVED TYPE FOR THE PARTICULAR LOCATION AND PURPOSE.
- GROUNDING SYSTEM SHALL BE PROVIDED TO ALL LIGHTING AND POWER CIRCUIT AS PER PHILIPPINE ELECTRICAL CODE REQUIREMENT.
- MOUNTING HEIGHT OF WIRING DEVICES SHALL BE AS FOLLOWS :
 - LIGHT SWITCH - 1.20 M ABOVE FINISH FLOOR
 - CONVENIENCE OUTLET - 0.30 M ABOVE FINISH FLOOR.
 - SAFETY SWITCH - 1.80 M ABOVE FINISH FLOOR

- TOTAL LOAD:

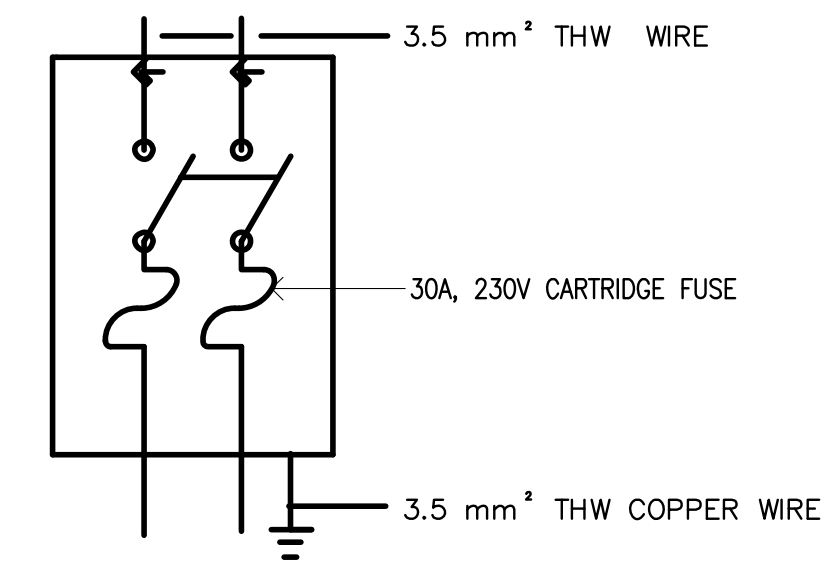
A. LIGHTING OUTLET	5 x 100 W	=	500 W
B. FAN OUTLET	1 x 100 W	=	100 W
C. CONVENIENCE OUTLET	2 x 180 W	=	360 W
TOTAL LOAD		=	960 W
I LOAD	960 / 230	=	4.17 A
- CIRCUIT REQUIREMENT:

USE 30 A 2-WIRE CIRCUIT
- SERVICE ENTRANCE CONDUCTORS:

USE 2-3.5 mm² THW COPPER WIRES +1-3.5 mm², THW(G) IN 15mmØ C
- SERVICE EQUIPMENT:

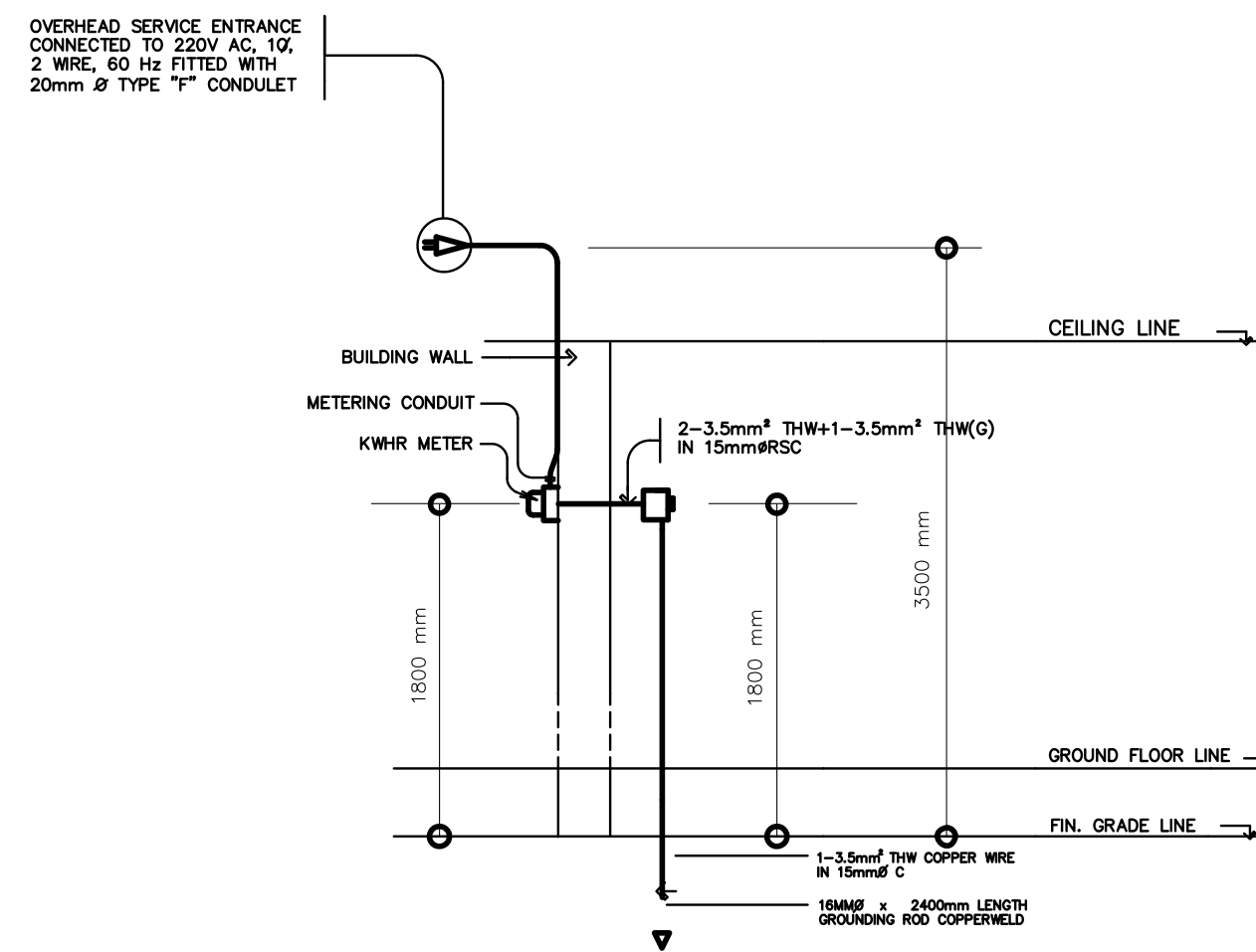
USE 30 A, 2PST, 250V SAFETY SWITCH WITH 2-30 A, RENEWABLE FUSES

5. SCHEMATIC DIAGRAM OF SAFETY SWITCH:



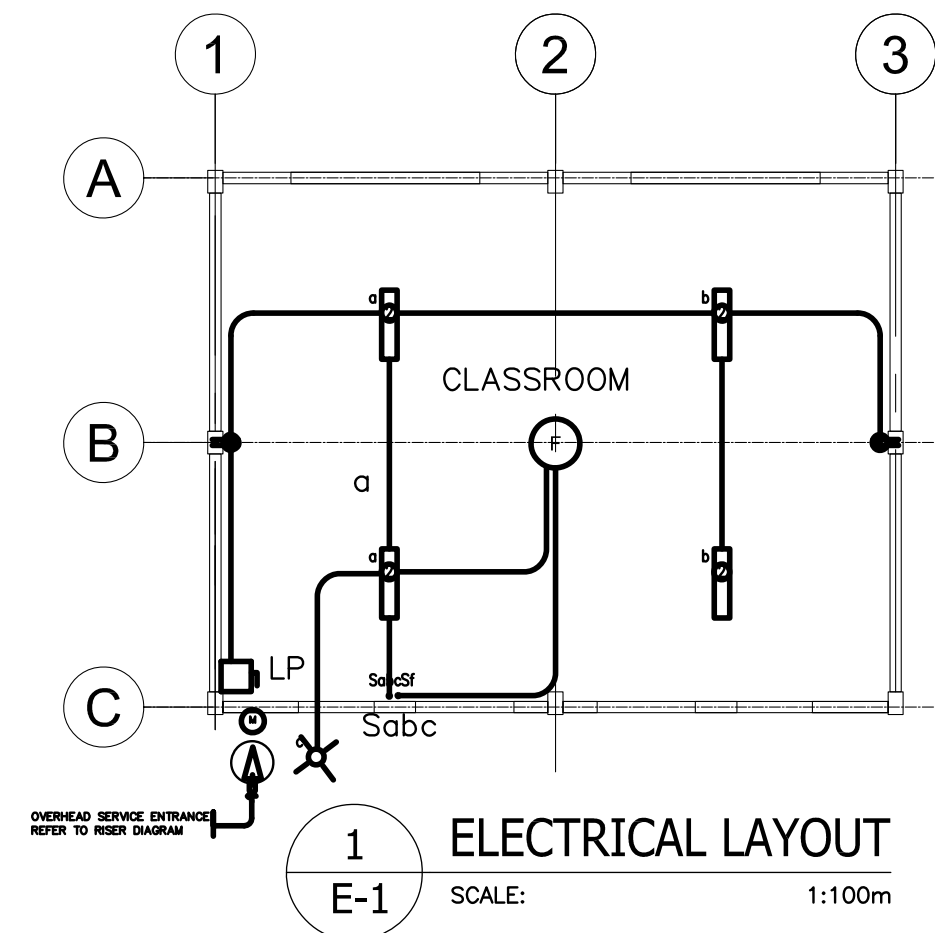
LEGEND

SYMBOL	DESCRIPTION
	CEILING LIGHT OUTLET
	2 x 40 WATTS FLUORESCENT LAMP
	CEILING FAN OUTLET
S/Sa	ONE GANG DEVICE SWITCH
Sab	TWO GANG DEVICE SWITCH
Scde	THREE GANG DEVICE SWITCH
	1 x 40 WATTS FLUORESCENT LAMP
Sf	FAN CONTROL SWITCH
	RACEWAY CONDUIT CONCEALED IN CEILING
	RACEWAY CONDUIT CONCEALED UNDER FLOOR
	SAFETY SWITCH
	DUPLEX CONVENIENCE OUTLET, GROUNDING TYPE 10 AMPS, 250 VOLT WITH MODERN PLATE COVER
	ELECTRIC SERVICE METER
	SERVICE ENTRANCE



ELECTRICAL RISER DIAGRAM

NOT TO SCALE



1 ELECTRICAL LAYOUT

SCALE: 1:100m

<p>REPUBLIC OF THE PHILIPPINES DEPARTMENT OF EDUCATION PHYSICAL FACILITIES AND SCHOOLS ENGINEERING DIVISION MERALCO AVENUE, PASIG CITY</p>	PREPARED BY :	CHECKED BY :	RECOMMENDING APPROVAL :	APPROVED BY :	PROJECT TITLE :	PROJECT NO: 000009	OWNER :	SHEET NO:
					ONE STOREY ONE CLASSROOM (Modified 7x9m)	DESIGNED BY: VDS	DEPARTMENT OF EDUCATION DepED	E-1
	PDO - III PFSED-DepED	ENGINEER III PFSED-DepED	HEAD, PLANNING AND DESIGN UNIT PFSED-DepED	CHIEF, PFSED-OPS DepED	LOCATION :	ENCODED BY: Max C.	SHEET CONTENTS :	CALCULATIONS LEGEND RISER DIAGRAM
						CHECKED BY: LGP	GENERAL NOTES ELECTRICAL LAYOUT	1
						DATE: 01 01 2006		

NOTE: THIS DRAWING, AS AN INSTRUMENT OF SERVICE IS THE PROPERTY OF PHYSICAL FACILITIES AND SCHOOLS ENGINEERING DIVISION AND AS SUCH MUST NOT BE REPRODUCED OR COPIED IN PART OR IN WHOLE WITHOUT THEIR PERMISSION. ALL DRAWINGS ARE TO BE RETURNED WHEN NO LONGER IN USE.