



Republic of the Philippines
DEPARTMENT OF PUBLIC WORKS AND HIGHWAYS
OFFICE OF THE SECRETARY
Bonifacio Drive, Port Area, Manila

097.13 DPWH
06-23-2005

JUN 22 2005

DEPARTMENT ORDER) SUBJECT: PRE-INVESTMENT CLEARANCE FOR
No. 68) FOREIGN - ASSISTED PROJECTS
Series of 2005 (06-23-05)) WITH COST OVERRUNS

In line with the reform efforts of the Department in strengthening the control and monitoring of the project costs of foreign-assisted projects vis-à-vis the approved NEDA-Infrastructure Coordinating Committee (ICC) cost, the procedures indicated in the attached Flowcharts for Pre-Investment Clearance are hereby adopted for the following:

- Annex A - For Overall Project Cost
- Annex B - For Procurement
- Annex C - For Contract Implementation

Proposed change in cost at any stage of the project implementation resulting to an increase in the overall project cost which is more than the ICC-approved cost should be properly coordinated with the Planning Service for pre-investment clearance, subject to the approval of the Secretary.

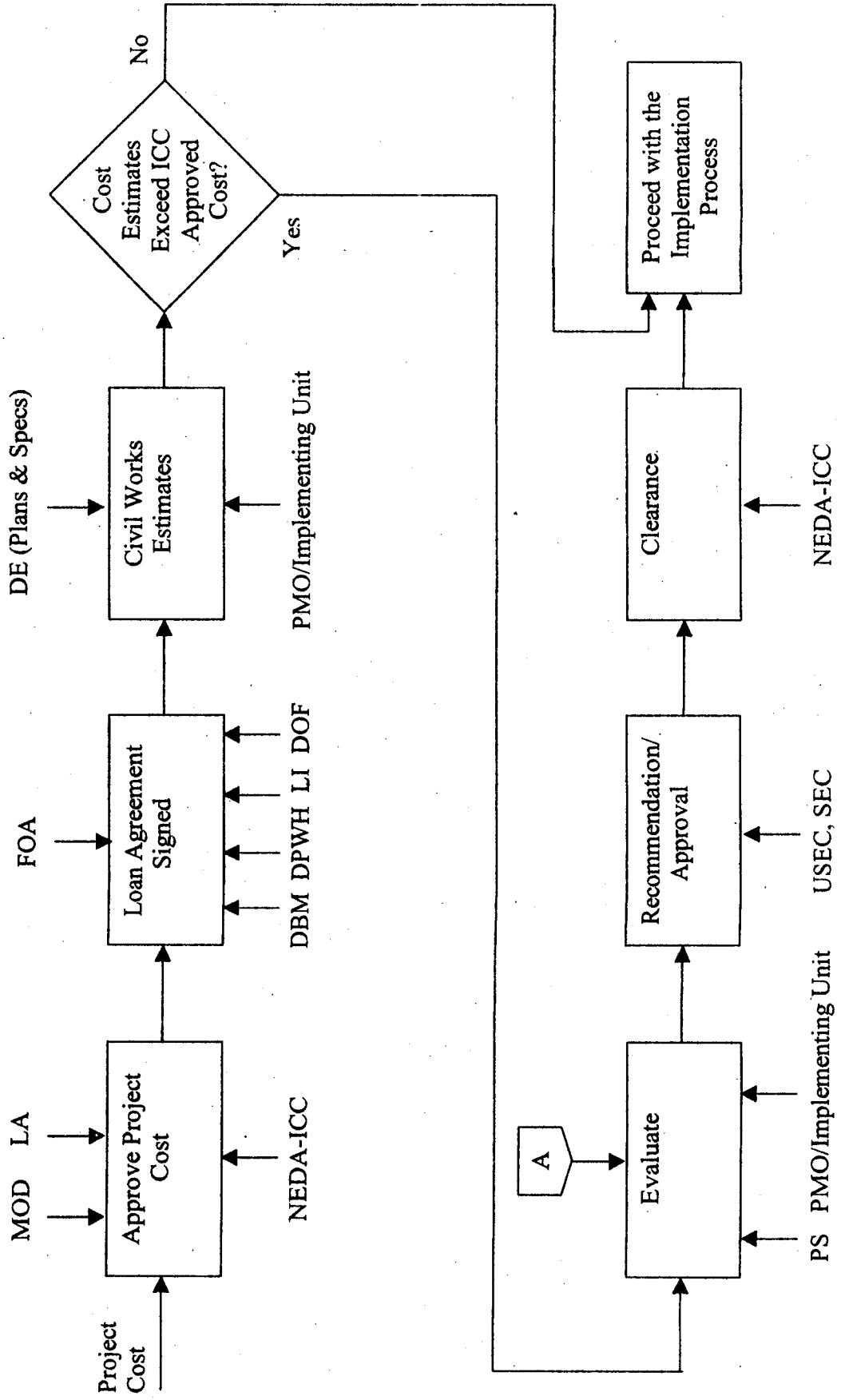
This Order shall take effect immediately and supersedes all previous Department Orders and other issuances or any provisions thereof that are inconsistent herewith.

[Signature]
HERMOGENES E. EBDANE, JR.
Acting Secretary

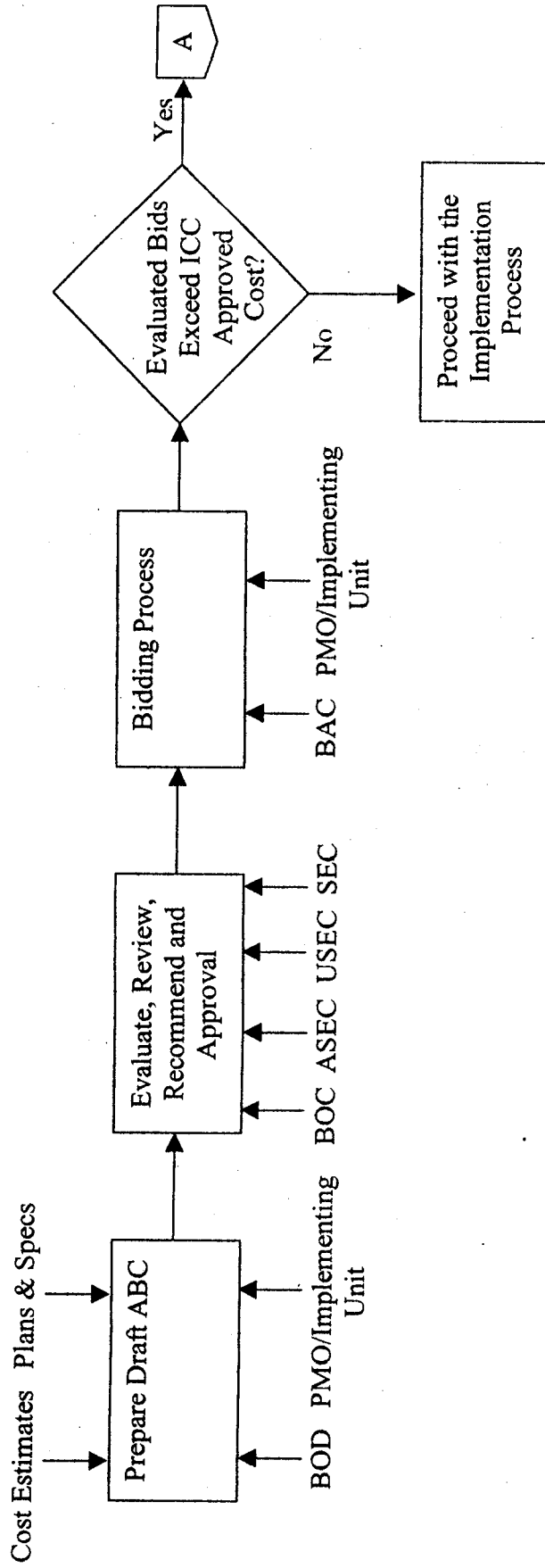


WIN5100034

PRE-INVESTMENT CLEARANCE FOR OVERALL PROJECT COST



PRE-INVESTMENT CLEARANCE FOR PROCUREMENT



PRE-INVESTMENT CLEARANCE DURING CONTRACT IMPLEMENTATION

