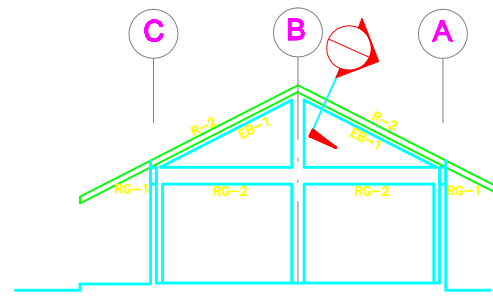
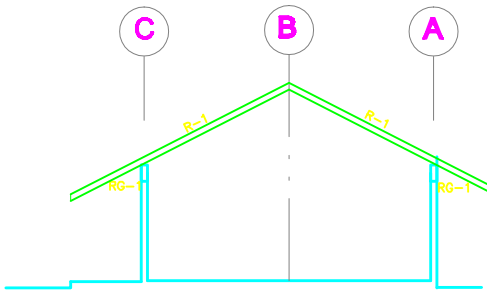


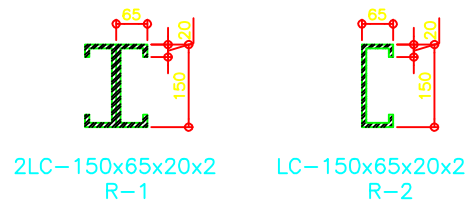
**A ELEV @ GRID 1 & 5**  
SCALE: 1:100 M



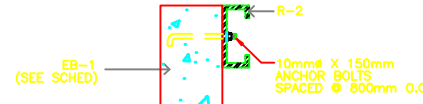
**B ELEV @ GRID 3**  
SCALE: 1:100 M



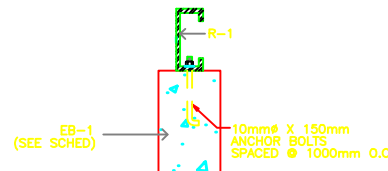
**C ELEV BET GRIDLINES**  
SCALE: 1:100 M



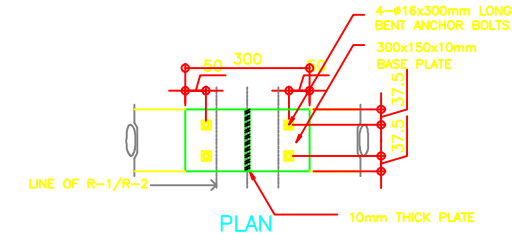
**E DETAIL OF RAFTER**  
SCALE: NTS



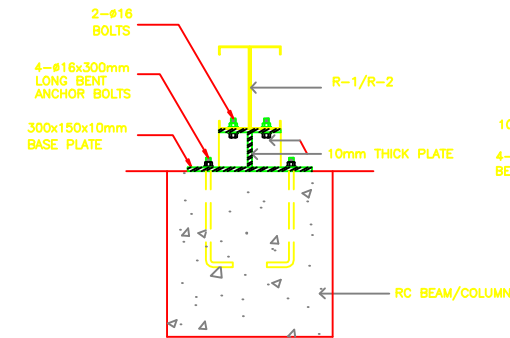
**1 SECTION DETAIL**  
SCALE: NTS



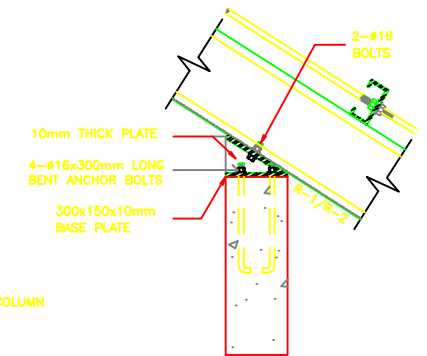
**2 SECTION DETAIL**  
SCALE: NTS



PLAN

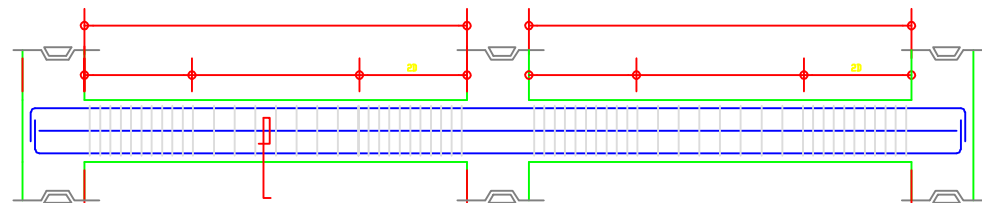


ELEVATION

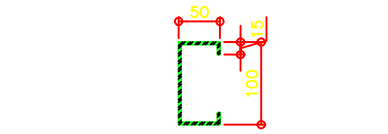


ELEVATION

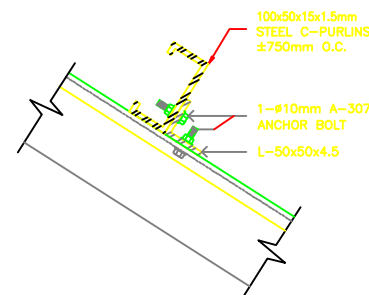
**G TYPICAL RAFTER ANCHORAGE DETAIL**  
SCALE: 1:20 M



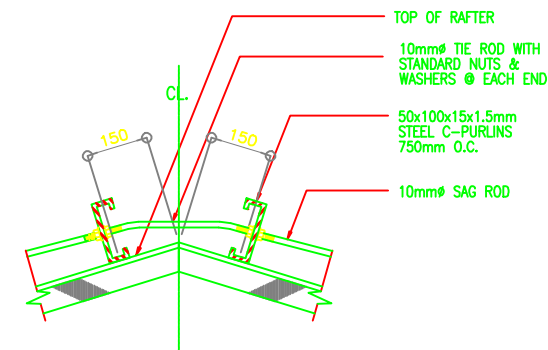
**D TYPICAL BEAM ELEVATION**  
SCALE: 1:100 M



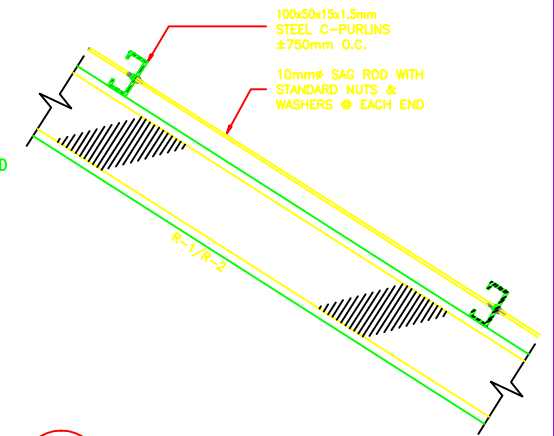
**F DETAIL OF PURLINS**  
SCALE: NTS



**H PURLIN CONNECTION DET**  
SCALE: 1:5 M



**I TIE ROD CONNECTION DET.**  
SCALE: 1:10 M



**J SAG ROD CONNECTION DET.**  
SCALE: 1:10 M

BEAM SCHEDULE											
FLOOR LEVEL	BEAM MARK	BEAM DIMENSIONS (in / mm)		REBAR (mm Ø)	STEEL REINFORCEMENTS						STIRRUPS #10mm (UNLESS NOTED OTHERWISE)
		b	h		LEFT		MID SPAN		RIGHT		
					TOP	BOTTOM	TOP	BOTTOM	TOP	BOTTOM	
ROOF LEVEL	RG-1	150	400	#12mm	2	2	2	2	2	2	1Ø50, 8Ø100, RESTØ200
	RG-2	150	400	#12mm	2	2	2	2	2	2	1Ø50, 6Ø100, RESTØ200
	EB-1	150	250	#10mm	2	2	2	2	2	2	1Ø50, 6Ø100, RESTØ200